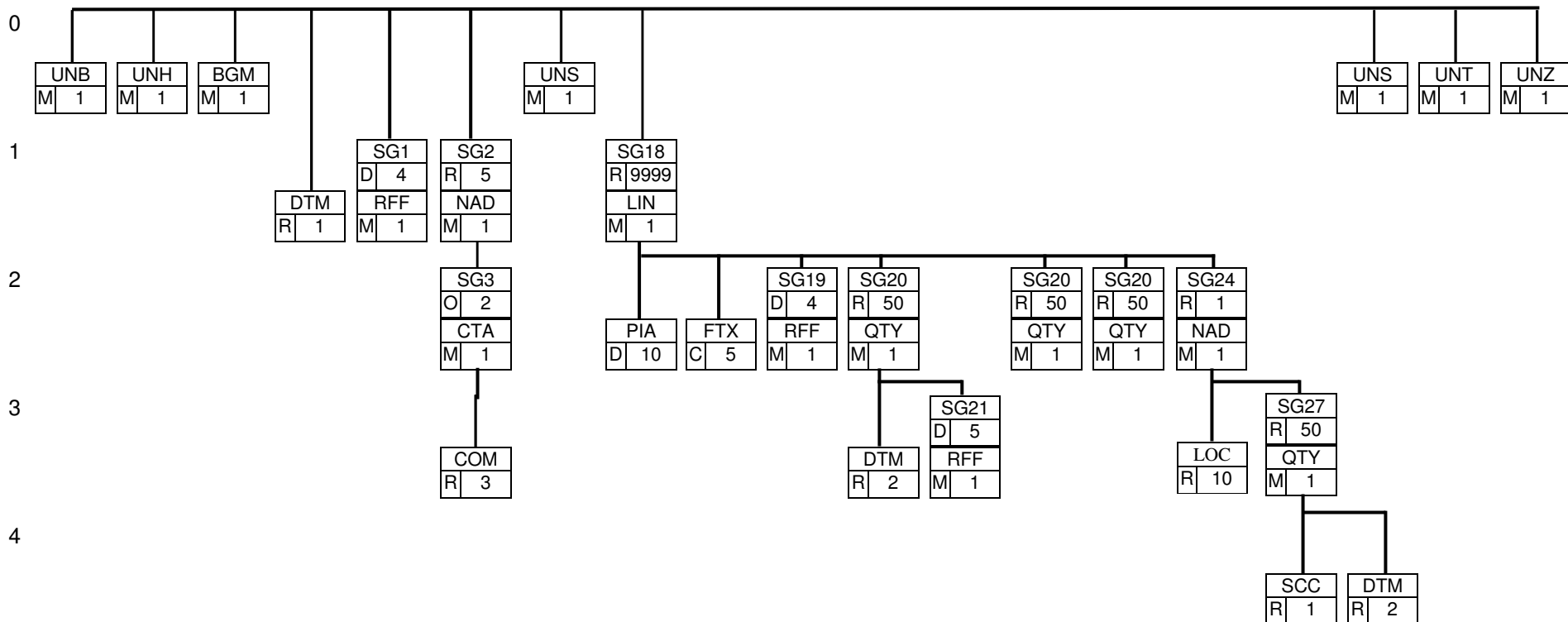


Forecast/Calloff outbound

DELFOR



DELFOR

Segment: 1 **UNH** Max. occ.: 1 Status: M Variant No.: 1
 Name: MESSAGE HEADER

| EDIFACT-Segment | Const. | S | Remarks |
|---|---------|---|---|
| UNH | UNH | | |
| 0062 M an..14 MESSAGE REFERENCE NUMBER | +1 | M | No. of message within file |
| S009 M MESSAGE IDENTIFIER | | | |
| 0065 M an..6 Message type identifier | +DELFOR | M | <i>DELFOR = Calloff/Delivery Schedule</i> |
| 0052 M an..3 Message type version number | :1 | M | <i>1 = version no. 1</i> |
| 0054 M an..3 Message type release number | :921 | M | <i>912 = standard release 1991</i> |
| 0051 M an..2 Controlling agency | :UN | M | <i>UNUN/ECE/TRADE/WP.4, United Nations Standard Messages (UNSM)</i> |
| 0057 C an..6 Association assigned code | :ED3' | R | Application code of responsible organization, ED3 = EDIFICE Issue 3 |

DELFOR

Segment: 2 **BGM** Max. occ.: 1 Status: M Variant No.: 1
 Name: BEGINNING OF MESSAGE

| EDIFACT-Segment | Const. | S | Remarks |
|--|---------|---|---------------------------------|
| BGM C002 C DOCUMENT/MESSAGE NAME | BGM | | |
| 1001 C an..3 Document/message name, coded | +241 | R | 241 = Calloff/Delivery Schedule |
| 1004 C an..35 DOCUMENT/MESSAGE NUMBER | +00124' | R | Transmission Number |

DELFOR

Segment: 3 **DTM** Max. occ.: 1 Status: R Variant No.: 1
 Name: DATE/TIME/PERIOD

| EDIFACT-Segment | Const. | S | Remarks |
|--|-----------|---|--|
| DTM | DTM | | |
| C507 M | | | |
| DATE/TIME/PERIOD | | | |
| 2005 M an..3 Date/time/period qualifier | +137 | R | <i>137 = Date/Time of Message/Document</i> |
| 2380 C an..35 Date/time/period | :19970512 | R | Transmission Date |
| 2379 C an..3 Date/time/period format qualifier | :102' | R | <i>102 = YYYYMMDD</i> |

DELFOR

Segment group: **SG1** Max. occ.: 10 Status: C Variant No.: 1
 RFF-DTM
 Segment: 4 **RFF** Max. occ.: 1 Status: M Variant No.: 1
 Name: REFERENCE

| EDIFACT-Segment | Const. | S | Remarks |
|----------------------|---------|---|--|
| RFF | RFF | | |
| C506 M | | | |
| REFERENCE | | | |
| 1153 M an..3 | +ALM | M | <i>ALM = Previous delivery schedule number</i> |
| Reference qualifier | | | |
| 1154 C an..35 | :00123' | M | |
| Reference number | | | |

Forecast/Calloff outbound

DELFOR

Segment group: **SG2** Max. occ.: 20 Status: C Variant No.: 1
 NAD-LOC-SG3
 Segment: 5 **NAD** Max. occ.: 1 Status: M Variant No.: 1
 Name: NAME AND ADDRESS

| EDIFACT-Segment | Const. | S | Remarks |
|---|--------|---|--------------------------------|
| NAD | NAD | | |
| 3035 M an..3 PARTY QUALIFIER | +BY | M | <i>BY = Buyer</i> |
| C082 C PARTY IDENTIFICATION DETAILS | | | |
| 3039 M an..17 Party id identification | +89995 | M | Identification of the Customer |
| 1131 C an..3 Code list qualifier | : | | |
| 3055 C an..3 Code list responsible agency, coded | :91' | M | <i>91 = Assigned by Seller</i> |

DELFOR

Segment group: **SG3** Max. occ.: 5 Status: C Variant No.: 1
 CTA-COM
 Segment: 6 **CTA** Max. occ.: 1 Status: O Variant No.: 1
 Name: CONTACT INFORMATION

| EDIFACT-Segment | Const. | S | Remarks |
|--|------------------------------------|---|---|
| CTA 3139 O an..3 CONTACT FUNCTION, CODED C056 C DEPARTMENT OR EMPLOYEE DETAILS 3413 C an..17 Department or employee identification 3412 O an..35 Department or employee | CTA +PD + :Buyer' | | PD = Contact at Purchasing Dept. Name of Buyer |

Forecast/Calloff outbound

DELFOR

Segment group: **SG3** Max. occ.: 5 Status: C Variant No.: 1
 CTA-COM
 Segment: 7 **COM** Max. occ.: 5 Status: R Variant No.: 1
 Name: COMMUNICATION CONTACT

| EDIFACT-Segment | Const. | S | Remarks |
|--|--------------|---|-----------------------|
| COM | COM | | |
| C076 M | | | |
| COMMUNICATION CONTACT | | | |
| 3148 O an..25 Communication number | +02351/12345 | | |
| 3155 M an..3 Communication channel qualifier | :TE' | O | <i>TE = Telephone</i> |

DELFOR

Segment group: **SG2** Max. occ.: 20 Status: C Variant No.: 2
 NAD-LOC-SG3
 Segment: 8 **NAD** Max. occ.: 1 Status: O Variant No.: 1
 Name: NAME AND ADDRESS

| EDIFACT-Segment | Const. | S | Remarks |
|---|---------------|---|--------------------------------|
| NAD | NAD | | |
| 3035 M an..3 PARTY QUALIFIER | +DP | M | <i>DP = Delivery Party</i> |
| C082 C PARTY IDENTIFICATION DETAILS | | | |
| 3039 M an..17 Party id identification | +003006 | M | No. of Ship-to-Party |
| 1131 C an..3 Code list qualifier | : | | |
| 3055 C an..3 Code list responsible agency, coded | :91 | M | <i>91 = Assigned by Seller</i> |
| C058 C NAME AND ADDRESS | | | |
| 3124 M an..35 Name and address line | + | | |
| C080 C PARTY NAME | | | |
| 3036 M an..35 Party name | +Leopold Kost | | Address/Name |
| C059 C STREET | | | |
| 3042 M an..35 Street and number/P.O. Box | +Wiesenstraß | | Address/Street |
| 3164 C an..35 CITY NAME | +Lüdenscheid | | Address/City |
| 3229 C an..9 COUNTRY SUB-ENTITY IDENTIFICATION | + | | |
| 3251 C an..9 POSTCODE IDENTIFICATION | +58507 | | Address/City Code |
| 3207 C an..3 COUNTRY, CODED | +DE' | | Adrrs/Country Code |

Forecast/Calloff outbound

DELFOR

Segment group: **SG2** Max. occ.: 20 Status: C Variant No.: 3
 NAD-LOC-SG3
 Segment: 9 **NAD** Max. occ.: 1 Status: O Variant No.: 1
 Name: NAME AND ADDRESS

| EDIFACT-Segment | Const. | S | Remarks |
|---|---------|---|------------------------------------|
| NAD | NAD | | |
| 3035 M an..3 PARTY QUALIFIER | +SE | M | <i>Code SE = Seller</i> |
| C082 C PARTY IDENTIFICATION DETAILS | | | |
| 3039 M an..17 Party id identification | +003006 | M | Supplier Code |
| 1131 C an..3 Code list qualifier | : | | |
| 3055 C an..3 Code list responsible agency, coded | :92' | M | <i>Code 92 = Assigned by Buyer</i> |

DELFOR

Segment: 10 **UNS** Max. occ.: 1 Status: M Variant No.: 1
 Name: SECTION CONTROL

| EDIFACT-Segment | Const. | S | Remarks |
|--|------------|---|--|
| UNS 0081 M a1 SECTION IDENTIFICATION | UNS +D' | M | <i>D = Separate header and detail sections</i> |

DELFOR

Segment group: **SG18** Max. occ.: 9999 Status: C Variant No.: 1
 LIN-PIA-IMD-MEA-ALI-GIN-GIR-DTM-FTX-SG19-SG20-SG22-SG24
 Segment: 11 **LIN** Max. occ.: 1 Status: M Variant No.: 1
 Name: LINE ITEM

| EDIFACT-Segment | Const. | S | Remarks |
|---|------------------------|---|--|
| LIN | LIN | | |
| 1082 C n..6 LINE ITEM NUMBER | +1 | R | No. Of Line Item |
| 1229 C an..3 ACTION REQUEST/ NOTIFICATION, CODED | + | | |
| C212 C ITEM NUMBER IDENTIFICATION | | | |
| 7140 C an..35 Item number | +66550000011 311-01 | R | Customer Material Number, followed by revision level |
| 7143 C an..3 Item number type, coded | :BP | R | <i>BP = Buyer's part number</i> |
| 1131 C an..3 Code list qualifier | : | | |
| 3055 C an..3 Code list responsible agency, coded | :92' | R | <i>92 = Assigned by Buyer</i> |

Forecast/Calloff outbound

DELFOR

Segment group: **SG18** Max. occ.: 9999 Status: C Variant No.: 1
 LIN-PIA-IMD-MEA-ALI-GIN-GIR-DTM-FTX-SG19-SG20-SG22-SG24
 Segment: 12 **PIA** Max. occ.: 10 Status: D Variant No.: 1
 Name: ADDITIONAL PRODUCT ID

| EDIFACT-Segment | Const. | S | Remarks |
|---|-----------|---|---|
| PIA | PIA | | |
| 4347 D an..3 PRODUCT ID FUNCTION QUALIFIER | +1 | | |
| C212 M ITEM NUMBER IDENTIFICATION | | | |
| 7140 D an..35 Item number | +MO007423 | | Supplier Material Number |
| 7143 D an..3 Item number type, coded | :VP | | <i>VP = Vendor's (seller's) part number</i> |
| 1131 C an..3 Code list qualifier | : | | |
| 3055 C an..3 Code list responsible agency, coded | :91' | D | <i>91 = Assigned by Buyer</i> |

Forecast/Calloff outbound

DELFOR

Segment group: **SG18** Max. occ: 9999 Status: C Variant No.: 1
 Segment group 18: LIN-PIA-IMD-MEA-ALI-GIN-GIR-DTM-FTX-SG19-SG20-...
 Segment: 13 **FTX** Max. occ.: 5 Status: C Variant No.: 1
 Name: FTX, Free Text

| EDIFACT-Segment | Const | S | Remarks |
|--|-------|---|---------|
| FTX | FTX | | |
| 4451 M an..3 Text Subject, qualifier | +AAI | | |
| 4453 C an..3 Text function, coded | + | | |
| C107 C TEXT REFERENCE | | | |
| 4441 M an..3 Free Text, coded | + | | |
| 1131 C an..3 Code list , Qualifier | : | | |
| 3055 C an..3 Responsible agency | : | | |
| C108 C TEXT LITERAL | | | |
| 4440 M an..70 Free Text | +Text | | |
| 4440 C an..70 Free Text | : | | |
| 4440 C an..70 Free Text | : | | |
| 4440 C an..70 Free Text | : | | |
| 4440 C an..70 Free Text | : | | |
| 3453 C an..3 Language, coded | +DE | | |

DELFOR

Segment group: **SG19** Max. occ.: 10 Status: C Variant No.: 1
 RFF-DTM
 Segment: 14 **RFF** Max. occ.: 1 Status: M Variant No.: 1
 Name: REFERENCE

| EDIFACT-Segment | Const. | S | Remarks |
|----------------------|---------------|---|---|
| RFF | RFF | | |
| C506 M | | | |
| REFERENCE | | | |
| 1153 M an..3 | +CT | M | <i>CT = Contract number</i> |
| Reference qualifier | | | |
| 1154 C an..35 | :551000000110 | M | No. of the Scheduling Agreement, followed by 2-digit item no. |
| Reference number | | | |

DELFOR

Segment group: **SG20** Max. occ.: 50 Status: C Variant No.: 1
 QTY-SCC-DTM-SG21
 Segment: 15 **QTY** Max. occ.: 1 Status: M Variant No.: 1
 Name: QUANTITY

| EDIFACT-Segment | Const. | S | Remarks |
|---|--------|---|--------------------------------|
| QTY | QTY | | |
| C186 M | | | |
| QUANTITY DETAILS | | | |
| 6063 M an..3 Quantity qualifier | +48 | M | <i>48 = Received quantity</i> |
| 6060 M n..15 Quantity | :400 | M | Quantity of last Goods receipt |
| 6411 C an..3 Measure unit qualifier | :PCE' | M | <i>PCE = piece</i> |

Forecast/Calloff outbound

DELFOR

Segment group: **SG20** Max. occ.: 50 Status: C Variant No.: 1
 QTY-SCC-DTM-SG21
 Segment: 16 **DTM** Max. occ.: 2 Status: R Variant No.: 1
 Name: DATE/TIME/PERIOD

| EDIFACT-Segment | Const. | S | Remarks |
|-----------------------------------|-----------|---|-------------------------------------|
| DTM | DTM | | |
| C507 M | | | |
| DATE/TIME/PERIOD | | | |
| 2005 M an..3 | +50 | R | <i>50 = Goods Receipt Date/Time</i> |
| Date/time/period qualifier | | | |
| 2380 C an..35 | :19970412 | M | |
| Date/time/period | | | |
| 2379 C an..3 | :102' | R | <i>102 = YYYYMMDD</i> |
| Date/time/period format qualifier | | | |

DELFOR

Segment group: **SG21** Max. occ.: 10 Status: C Variant No.: 1
 RFF-DTM
 Segment: 17 **RFF** Max. occ.: 1 Status: M Variant No.: 1
 Name: REFERENCE

| EDIFACT-Segment | Const. | S | Remarks |
|--|----------|---|--------------------------------------|
| RFF | RFF | | |
| C506 M | | | |
| REFERENCE | | | |
| 1153 M an..3 Reference qualifier | +AAK | R | <i>AAK = Last Delivery Note</i> |
| 1154 C an..35 Reference number | :230412' | R | No. of the last Delivery Note booked |

DELFOR

Segment group: **SG20** Max. occ.: 50 Status: C Variant No.: 2
 QTY-SCC-DTM-SG21
 Segment: 18 **QTY** Max. occ.: 1 Status: M Variant No.: 1
 Name: QUANTITY

| EDIFACT-Segment | Const. | S | Remarks |
|---|--------|---|--|
| QTY | QTY | | |
| C186 M | | | |
| QUANTITY DETAILS | | | |
| 6063 M an..3 Quantity qualifier | +70 | R | <i>70 = Cumulative quantity received</i> |
| 6060 M n..15 Quantity | :12050 | R | |
| 6411 C an..3 Measure unit qualifier | :PCE' | M | <i>PCE = piece</i> |

DELFOR

Segment group: **SG20** Max. occ.: 50 Status: C Variant No.: 3
 QTY-SCC-DTM-SG21
 Segment: 19 **QTY** Max. occ.: 1 Status: M Variant No.: 1
 Name: QUANTITY

| EDIFACT-Segment | Const. | S | Remarks |
|---|--------|---|--------------------------------|
| QTY | QTY | | |
| C186 M | | | |
| QUANTITY DETAILS | | | |
| 6063 M an..3 Quantity qualifier | +83 | R | <i>83 = Backorder quantity</i> |
| 6060 M n..15 Quantity | :300 | R | |
| 6411 C an..3 Measure unit qualifier | :PCE' | M | <i>PCE = piece</i> |

DELFOR

Segment group: **SG24** Max occ.: 500 Status: C Variant No.: 1
 Segment group 24: NAD-LOC-FTX-SG25-SG26-SG27-SG29-SG31
 Segment: 20 **NAD** Max occ.: 1 Status: M Variant No.: 1
 Name: NAD, Name and Address

| EDIFACT-Segment | Const. | S | Remarks |
|---|--------|---|------------------------|
| NAD | NAD | | |
| 3035 M an..3 PARTY QUALIFIER | +ST | R | ST = Ship-To-Party |
| C082 C PARTY IDENTIFICATION DETAILS | | | |
| 3039 M an..17 Party id identification | +001 | M | Plant Code |
| 1131 C an..3 Code list qualifier | : | | |
| 3055 C an..3 Code list responsible agency, coded | :92 | M | 92 = Assigned by Buyer |

Forecast/Calloff outbound

DELFOR

Segment group: **SG24** Max occ.: 500 Status: C Variante Nr.: 1
 Segment group 24: NAD-LOC-FTX-SG25-SG26-SG27-SG29-SG31
 Segment: 21 **LOC** Max occ.: 10 Status: C Variante Nr.: 1
 Name: LOC, Location

| EDIFACT-Segment | Const. | S | Remarks |
|---|--------|---|------------------------|
| LOC | LOC | | |
| 3227 M an..3 LOCATION, QUALIFIER | +11 | R | ST = Ship-To-Party |
| C517 C LOCATION | | | |
| 3225 C an..25 Location id | +00001 | C | Unloading Point |
| 1131 C an..3 Code list qualifier | : | | |
| 3055 C an..3 Code list responsible agency, coded | :92 | C | 92 = Assigned by Buyer |

Forecast/Calloff outbound

DELFOR

Segment group: **SG27** Max. occ.: 50 Status: C Variant No.: 1
 QTY-SCC-DTM-SG28
 Segment: 22 **QTY** Max. occ.: 1 Status: M Variant No.: 1
 Name: QUANTITY

| EDIFACT-Segment | Const. | S | Remarks |
|---|--------|---|-------------------------------------|
| QTY | QTY | | |
| C186 M | | | |
| QUANTITY DETAILS | | | |
| 6063 M an..3 Quantity qualifier | +131 | R | <i>Code 131 = Delivery quantity</i> |
| 6060 M n..15 Quantity | :1200 | R | Quantity to be delivered |
| 6411 C an..3 Measure unit qualifier | :PCE' | M | <i>PCE = piece</i> |

Forecast/Calloff outbound

DELFOR

Segment group: **SG27** Max. occ.: 50 Status: C Variant No.: 1
 QTY-SCC-DTM-SG28
 Segment: 23 **SCC** Max. occ.: 1 Status: R Variant No.: 1
 Name: SCHEDULING CONDITIONS

| EDIFACT-Segment | Const. | S | Remarks |
|---|------------|---|--|
| SCC 4017 M an..3 DELIVERY PLAN STATUS INDICATOR, CODED | SCC +2' | R | <i>2 = Commitment for manufacturing and material</i> |

Forecast/Calloff outbound

DELFOR

Segment group: **SG27** Max. occ.: 50 Status: C Variant No.: 1
 QTY-SCC-DTM-SG28
 Segment: 24 **DTM** Max. occ.: 2 Status: R Variant No.: 1
 Name: DATE/TIME/PERIOD

| EDIFACT-Segment | Const. | S | Remarks |
|-----------------------------------|-----------|---|-------------------------------|
| DTM | DTM | | |
| C507 M | | | |
| DATE/TIME/PERIOD | | | |
| 2005 M an..3 | +2 | R | <i>2 = Delivery Date/Time</i> |
| Date/time/period qualifier | | | |
| 2380 C an..35 | :19970813 | M | |
| Date/time/period | | | |
| 2379 C an..3 | :102' | R | <i>102 = YYYYMMDD</i> |
| Date/time/period format qualifier | | | |

DELFOR

Segment group: **SG27** Max. occ.: 50 Status: C Variant No.: 3
 QTY-SCC-DTM-SG28
 Segment: 25 **QTY** Max. occ.: 1 Status: M Variant No.: 1
 Name: QUANTITY

| EDIFACT-Segment | Const. | S | Remarks |
|---|--------|---|-------------------------------------|
| QTY | QTY | | |
| C186 M | | | |
| QUANTITY DETAILS | | | |
| 6063 M an..3 Quantity qualifier | +131 | R | <i>Code 131 = Delivery quantity</i> |
| 6060 M n..15 Quantity | :10000 | | Quantity to be delivered |
| 6411 C an..3 Measure unit qualifier | :PCE' | M | <i>PCE = piece</i> |

Forecast/Calloff outbound

DELFOR

Segment group: **SG27** Max. occ.: 50 Status: C Variant No.: 3
 QTY-SCC-DTM-SG28
 Segment: 26 **SCC** Max. occ.: 1 Status: R Variant No.: 1
 Name: SCHEDULING CONDITIONS

| EDIFACT-Segment | Const. | S | Remarks |
|---|------------|---|------------------------------|
| SCC 4017 M an..3 DELIVERY PLAN STATUS INDICATOR, CODED | SCC +4' | R | 4 = <i>Planning/forecast</i> |

Forecast/Calloff outbound

DELFOR

Segment group: **SG27** Max. occ.: 50 Status: C Variant No.: 3
 QTY-SCC-DTM-SG28
 Segment: 27 **DTM** Max. occ.: 2 Status: M Variant No.: 1
 Name: DATE/TIME/PERIOD

| EDIFACT-Segment | Const. | S | Remarks |
|-----------------------------------|-----------|---|------------------------------|
| DTM | DTM | | |
| C507 M | | | |
| DATE/TIME/PERIOD | | | |
| 2005 M an..3 | +2 | R | <i>2 =Delivery Date/Time</i> |
| Date/time/period qualifier | | | |
| 2380 C an..35 | :19970901 | M | |
| Date/time/period | | | |
| 2379 C an..3 | :102' | R | <i>102 = YYYYMMDD</i> |
| Date/time/period format qualifier | | | |

DELFOR

Segment: 28 **UNS** Max. occ.: 1 Status: M Variant No.: 1
 Name: SECTION CONTROL

| EDIFACT-Segment | Const. | S | Remarks |
|--|------------|---|---|
| UNS 0081 M a1 SECTION IDENTIFICATION | UNS +S' | M | <i>S = Separate detail and summary sections</i> |

DELFOR

Segment: 29 **UNT** Max. occ.: 1 Status: M Variant No.: 1
 Name: MESSAGE TRAILER

| EDIFACT-Segment | Const. | S | Remarks |
|--|--------|---|---------|
| UNT | UNT | | |
| 0074 M n..6 NUMBER OF SEGMENTS IN A MESSAGE | +31 | M | |
| 0062 M an..14 MESSAGE REFERENCE NUMBER | +1' | M | |

DELFOR

Example:

UNB+UNOA:2+++011001:1212+0++DELFOR
UNH+1+DELFOR:1:921:UN
BGM+241+14
DTM+137:20010928:102
RFF+ALM:13
NAD+BY+21870720::91
CTA+PD+:Mr.Buyer
COM+0231/123:TE
NAD+SE+003006::92++SELLER+STR.11+BERLIN++13629+DE
CTA+PD
COM+030/98765:TE
COM+03098766:FX
NAD+DP+21870720::91++LEOPOLD KOSTAL+WIESENSTR. 47+LÜDENSCHIED++58507+DE
UNS+D
LIN+1+++66550000011311-01:BP::92
PIA+1+TESTIDLIEF:VP
FTX+AAI+++Text:Text:Text:Text:Text+DE
RFF+CT:105510000001
QTY+48:16320:PCE
DTM+50:20010827:102
RFF+AAK:RH376896
QTY+70:81600:PCE
QTY+83:100:PCE
NAD+ST:001::92
LOC+11+00001::92
QTY+131:14880:PCE
SCC+2
DTM+2:20011008:102
QTY+131:3840:PCE
SCC+2
DTM+2:20011017:102
QTY+131:19680:PCE
SCC+2
DTM+2:20011020:102
QTY+131:14400:PCE
SCC+3
DTM+2:20011102:102
QTY+131:10560:PCE
SCC+3
DTM+2:20011115:102
QTY+131:10080:PCE
SCC+4
DTM+2:20011127:102
QTY+131:17280:PCE
SCC+4
DTM+2:20011212:102
QTY+131:7200:PCE
SCC+4
DTM+2:20020520:102
QTY+131:9120:PCE
SCC+4
DTM+2:20020617:102

DELFOR

UNS+S
UNT+52+1
UNZ+1+0