

KOSTALize

your power

KOSTAL POWER SUPPLY KPS 24 V / 48 V

Made in Germany, made for you – made by KOSTAL

KOSTAL Electronic Solutions is your partner for control and power electronics and offers much more than E²MS.

The three-phase power supply for 24 V or 48 V DC offers numerous advantages.

Decentralised voltage supply: The KOSTAL power supply saves on costs for control cabinets and enables very short cables.

Immediately ready for use: All necessary functions are already integrated, such as DC line protection and the lockable maintenance switch.

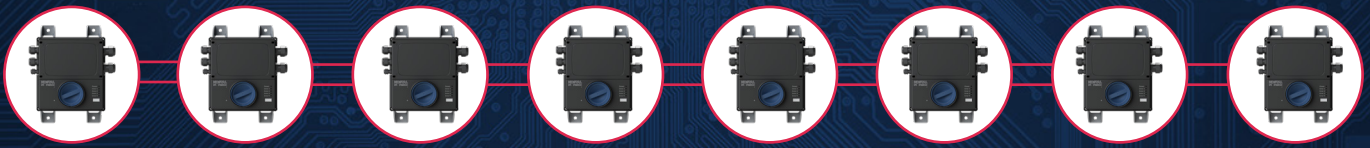
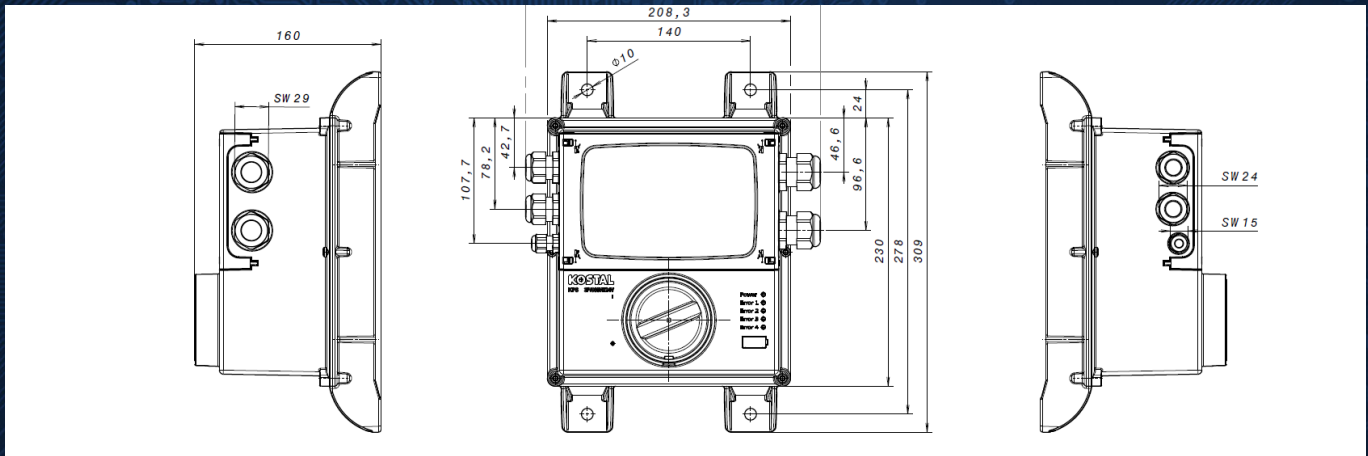
High power 960 W with IP54 protection class: The robust housing with IP54 protection class enables it to be placed in the direct vicinity of the products being supplied.

Wide range of features

- ⊕ No installation in control cabinet necessary
- ⊕ Compact design
- ⊕ Very high peak power (150%)
- ⊕ Adjustable DC line protection (jumper) EN 13849 PL/C/CAT.2
- ⊕ Overcurrent protection via resettable fuse
- ⊕ Status and error signal via feedback contact
- ⊕ LED status indicators
- ⊕ AC daisy chain
- ⊕ Multiple terminal point for the DC output, max. 4 tool-free connections possible
- ⊕ Brake chopper for limiting overvoltage caused by regenerative energy, meaning bi-directional charging capability
- ⊕ Lockable maintenance switch to prevent restart EN 13849 PL/C/CAT.2
- ⊕ Earth pull on the secondary side can be configured (SELV/PELV)
- ⊕ Maintenance-free
- ⊕ No power reduction (derating) in the entire operating temperature range
- ⊕ Developed according to DIN EN IEC 61010 / UL 61010
- ⊕ Generous clamping space

The KOSTAL KPS switching power supply can be **specified** and **labelled** according to **individual customer requirements**.

Technical data



KOSTAL KPS Power Supply		24 V	48 V
Electrical data	Supply voltage	3-phase AC	
	Wide range voltage input	342 to 528 V AC, 500 to 750 V DC	
	Grid frequency	50 to 60 Hz ± 6%	
	Mains power consumption	Type 1.6 A per phase at 3 x 400 V AC	
	Total current-carrying capacity	$\Sigma < 13$ A with 8 devices	
	Rated output voltage	24 V DC, adjustable 24 - 28 V via potentiometer.	48 V DC, adjustable 48 - 52 V via potentiometer.
	Residual ripple	200 mV eff.	
	Rated output power	960 W	
	Nominal peak power	1440 W at 24 V DC for 4s	1440 W at 48 V DC for 4s
	Total output current	60 A at 24 V DC for 4s	30 A at 48 V DC for 4s
	Max. output current	35 A per terminal pair	
	Current limitation per output	10, 16, 25 A	10, 16, 20 A
	Efficiency at nominal output power	min. 92%	min. 93%
	Overvoltage protection	≤ 35 V DC	≤ 60 V DC
	Environment	Brake chopper	30 W for 30 s, 200 W for 2 s
Protection class		IP 54	
Ambient temperature during operation at nominal load		-30 to 40 °C	
Ambient temperature during transport and storage		-40 to 85 °C	
Max. installation height above sea level		2000 m with derating	
Weight		4 kg	
Colour	RAL 9005 (black)		

KOSTAL Industrie Elektrik GmbH & Co. KG
Lange Eck 11, 58099 Hagen

KOSTAL Electronic Solutions
+49 2331 8040 – 170
info-electronics@kostal.com
www.kostal-electronic-solutions.com

KOSTAL Electronic Solutions:
Your partner for customised control
and power electronics.
www.kostal-electronic-solutions.com