

48 V CLASS 4

**PLK 14,5** 1-way Ver.1

Made for DCDC output.

- ⊕ Water proof sealed connector system
- ⊕ With CPA
- ⊕ Crimping and welding wire connection
- ⊕ V0 material

**APPLICATIONS**

- 48 V application
- DCDC
- CCU

**FEATURES****Current Carrying Capacity**250 A continuous  
@ 80 °C / 50 mm<sup>2</sup>**Cable Cross-Section**16 mm<sup>2</sup> – 50 mm<sup>2</sup> (crimped)  
16 mm<sup>2</sup> – 60 mm<sup>2</sup> (welded)**Voltage Range**

48 V

**Validation acc. to**  
USCAR 2-7**Temperature**

-40 °C to 130 °C

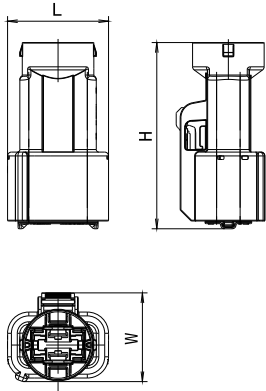
Experience how we connect  
the global automotive industry  
with high performance  
connector systems.

[www.kostal-kontakt-systeme.com](http://www.kostal-kontakt-systeme.com)

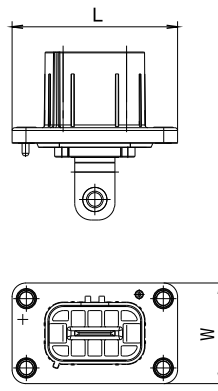


## DIMENSIONS

Receptacle Housing 180°



Tab Header



## TECHNICAL DATA

Receptacle Housing 180°

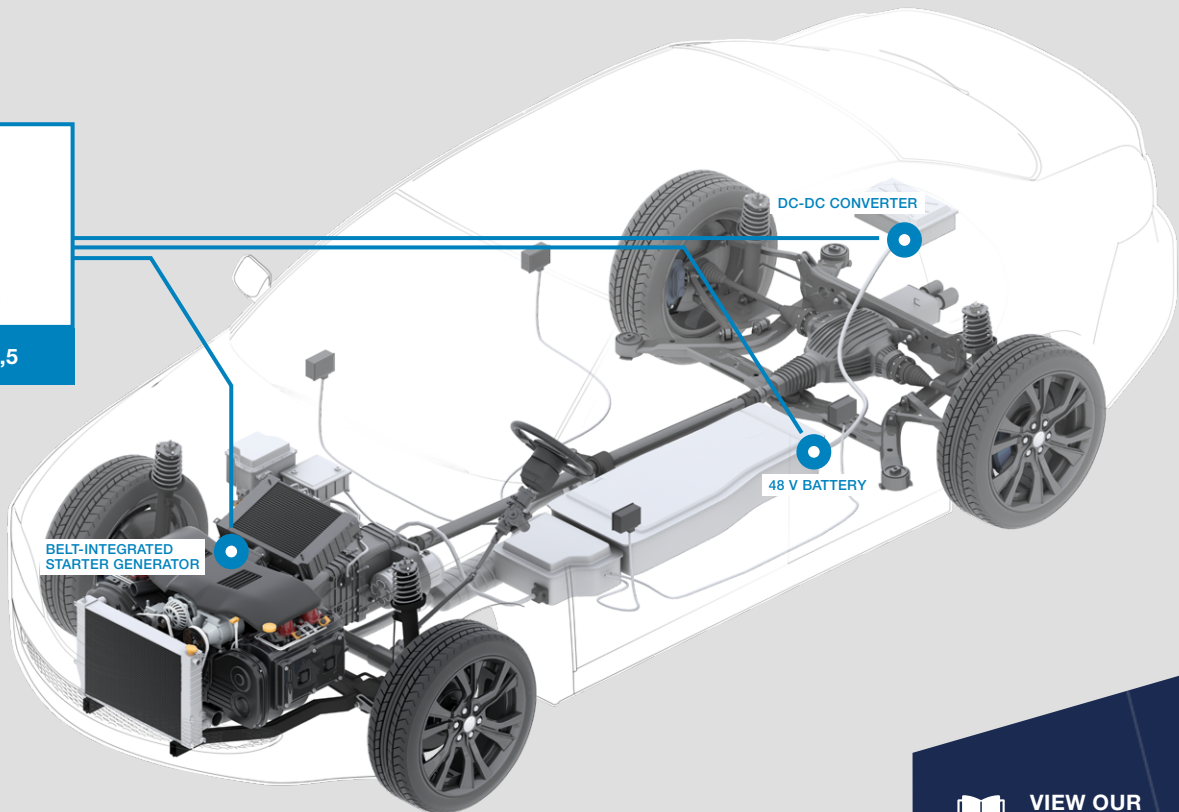
Tab Header

Cavities	PN Code A	Dimensions L x H x W (mm)	PN Code A Type A	Dimensions L x H x W (mm)	PN Code A Type B	Dimensions L x H x W (mm)
1	10532119*	72.9 x 39.5 x 34.7	10532125*	59.7 x 36.3 x 60.6	10532754*	59.7 x 36.3 x 60.6

\*current version in black



PLK 14,5



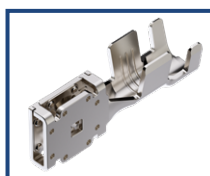
BELT-INTEGRATED STARTER GENERATOR

48 V BATTERY

DC-DC CONVERTER



## COMPATIBLE WITH



Terminal PLK 14,5



VIEW OUR PRODUCT CATALOGUE



CONTACT US:  
kks\_portfolio@kostal.com