

48 V CLASS 4

# PLK 14,5 1-way v. 1

Made for DCDC output.

- ⊕ water proof sealed connector system
- ⊕ with CPA
- ⊕ crimping and welding wire connection
- ⊕ V0 material



## APPLICATIONS

- 48 V application
- DCDC
- CCU

## FEATURES



**Current Carrying Capacity**  
250 A continuous  
@ 80 °C / 50 mm<sup>2</sup>



**Cable Cross-Section**  
16 mm<sup>2</sup> – 50 mm<sup>2</sup> (crimped)  
16 mm<sup>2</sup> – 60 mm<sup>2</sup> (welded)



**Voltage Range**  
48 V



**Validation acc. to**  
USCAR 2-7



**Temperature**  
-40 °C to 130 °C

we **connect**

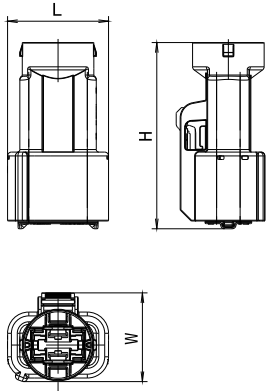
Experience how we connect the global automotive industry with high performance connector systems.

[www.kostal-kontakt-systeme.com](http://www.kostal-kontakt-systeme.com)

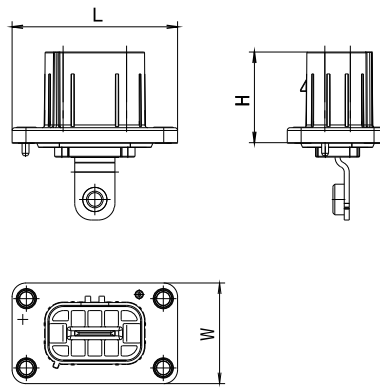


## DIMENSIONS

Receptacle Housing 180°



Tab Header



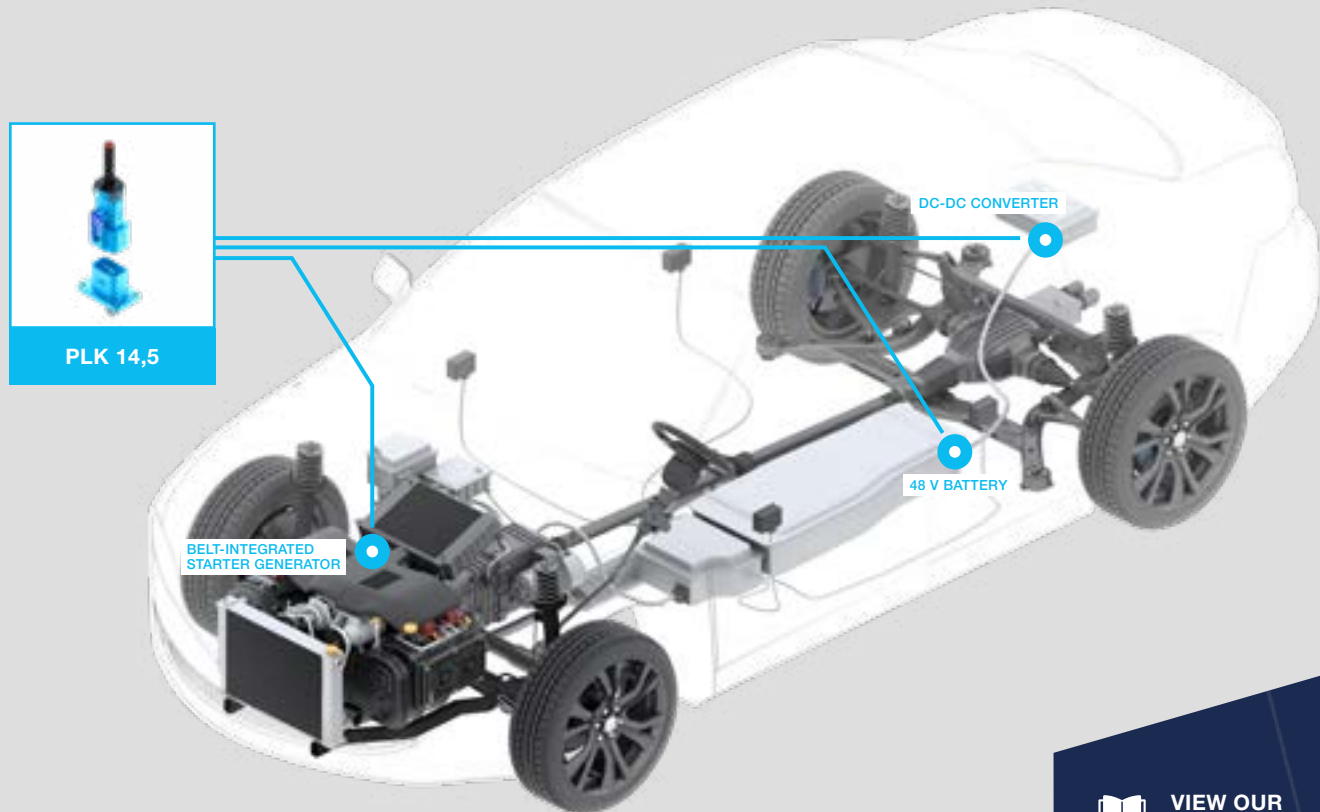
## TECHNICAL DATA

Receptacle Housing 180°

Tab Header

Cavities	PN Code A	Dimensions L x H x W (mm)	PN Code A Type A	Dimensions L x H x W (mm)	PN Code A Type B	Dimensions L x H x W (mm)
1	10532119*	72.9 x 39.5 x 34.7	10532125*	59.7 x 36.3 x 60.6	10532754*	59.7 x 36.3 x 60.6

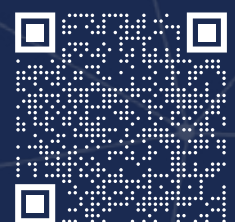
\*current version in black



## COMPATIBLE WITH



VIEW OUR  
PRODUCT CATALOGUE



CONTACT US:  
kks\_portfolio@kostal.com