

48 V CLASS 4

PLK 14,5 1-way Ver.2

For all powerful applications.

- ⊕ Robust design
- ⊕ Powerful connector system
- ⊕ Inline system with CPA locking
- ⊕ Several codings possible
- ⊕ 16-70 mm² Cu cable
- ⊕ Low mating force

**APPLICATIONS**

- Power for 4x4 electric drive
- Energy for power steering
- Power for MHEV electric drive

FEATURES

Current Carrying Capacity
230 A
@ 80 °C / 50 mm²



Sealing Protection
IP67, IPX9K



Voltage Range
Up to 48 V



Validation acc. to
B21 7050, LV 214



Temperature
-40 °C - 140 °C



Cable Cross-Section
16-70 mm² Cu cable

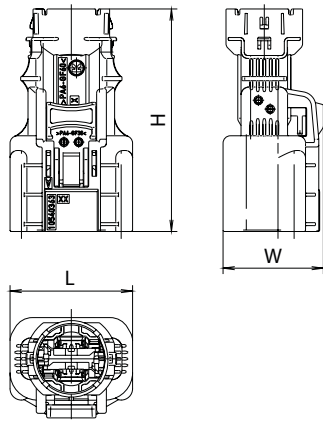
Experience how we connect
the global automotive industry
with high performance
connector systems.

www.kostal-kontakt-systeme.com

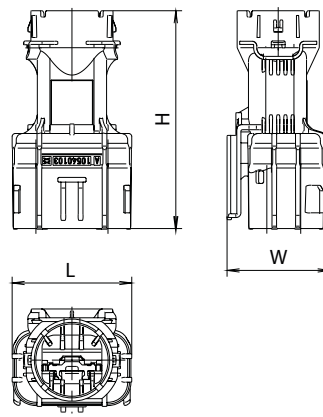


DIMENSIONS

Receptacle Housing



Tab Housing



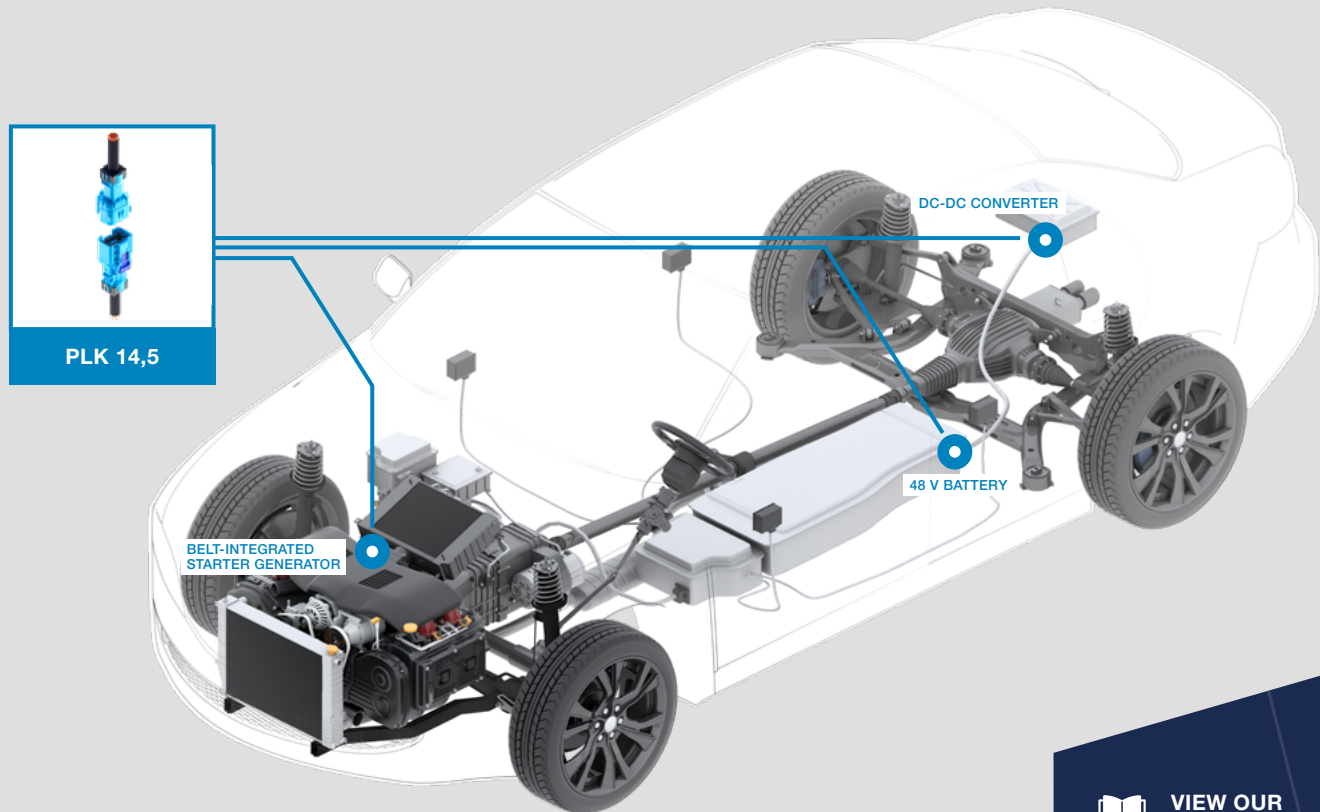
TECHNICAL DATA

Receptacle Housing 180°

Cavities	PN Code A	Dimensions L x H x W (mm)
1	12162888	41.6 x 75.55 x 34.05

Tab Housing

PN Code A	Dimensions L x H x W (mm)
12163009	38 x 69.2 x 32.75



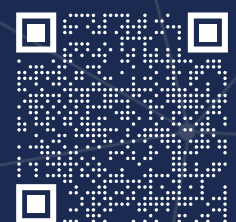
COMPATIBLE WITH



Terminal PLK 14,5



VIEW OUR
PRODUCT CATALOGUE



CONTACT US:
kks_portfolio@kostal.com