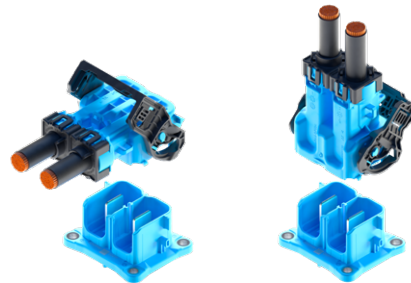


48 V CLASS 4 PLK 14,5

For all powerful applications.

- ⊕ Robust and compact design
- ⊕ Two plug directions
(90° and 180° on the same interface)
- ⊕ Crimping and welding
wire connections



APPLICATIONS

- 48 V application
- Inverter, battery, electrical motor
- And other devices

FEATURES



Current Carrying Capacity

280 A continuous
@ 80 °C / 70 mm²



Cable Cross-Section

16 mm² – 50 mm² (crimped)
16 mm² – 70 mm² (welded)



Voltage Range

48 V



Validation acc. to

PSA
B21 7050E



Temperature

-40 °C to 140 °C

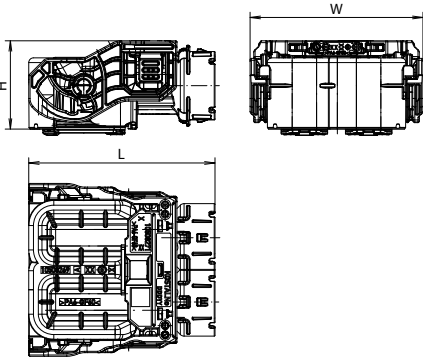
Experience how we connect
the global automotive industry
with high performance
connector systems.

www.kostal-kontakt-systeme.com

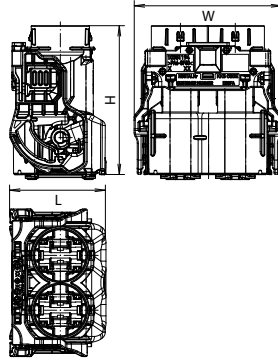


DIMENSIONS

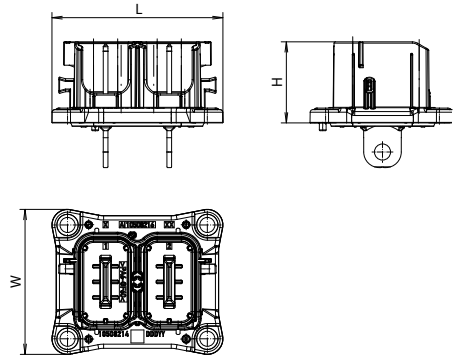
Receptacle Housing 90°



Receptacle Housing 180°



Tab Header



TECHNICAL DATA

Receptacle Housing 90°

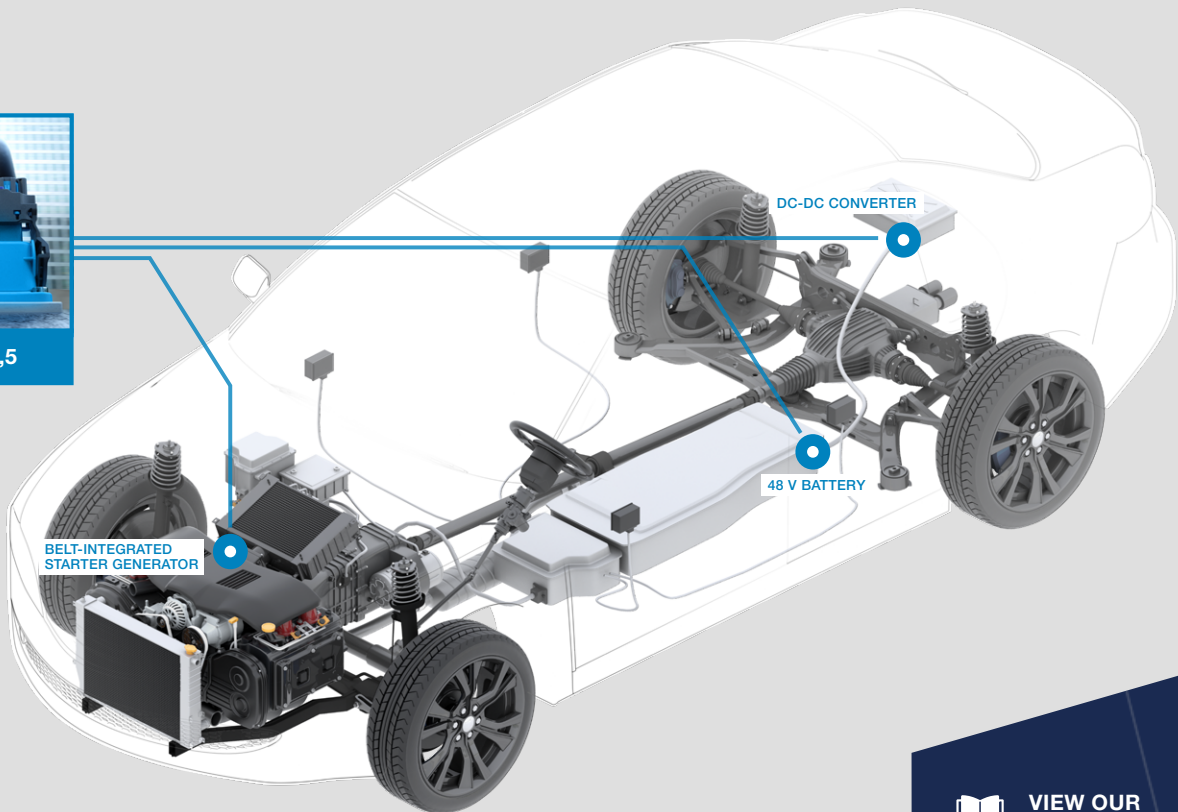
Receptacle Housing 180°

Tab Header

Cavities	PN Code A	Dimensions L x H x W (mm)	PN Code A	Dimensions L x H x W (mm)	PN Code A	Dimensions L x H x W (mm)
2	10508268	71 x 65.9 x 33.65	10508273	42.9 x 66.55 x 65.9	10508214	65.8 x 31.2 x 55.8



PLK 14,5



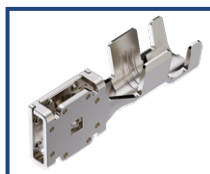
BELT-INTEGRATED
STARTER GENERATOR

DC-DC CONVERTER

48 V BATTERY



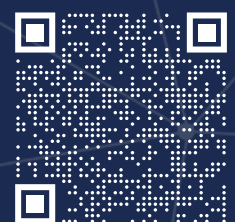
COMPATIBLE WITH



Terminal PLK 14,5



VIEW OUR
PRODUCT CATALOGUE



CONTACT US:
kks_portfolio@kostal.com