

48 V

**PLK 14,5 1-way Ver.2**

For all powerful applications.

- ⊕ Robust design
- ⊕ Powerful connector system
- ⊕ Inline system with CPA locking
- ⊕ Several codings possible
- ⊕ 16-70 mm<sup>2</sup> Cu cable
- ⊕ Low mating force

**APPLICATIONS**

- Power for 4x4 electric drive
- Energy for power steering
- Power for MHEV electric drive

**FEATURES**

**Current Carrying Capacity**  
230 A  
@ 80 °C / 50 mm<sup>2</sup>



**Sealing Protection**  
IP67, IPX9K



**Voltage Range**  
Up to 48 V



**Validation acc. to**  
B21 7050, LV 214



**Temperature**  
-40 °C - 140 °C



**Cable Cross-Section**  
16-70 mm<sup>2</sup> Cu cable

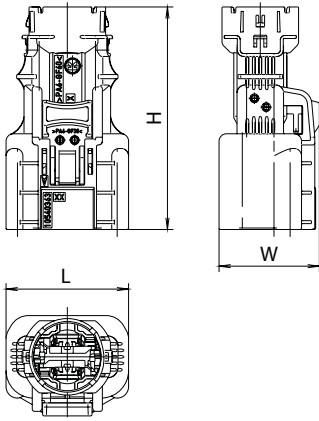
Experience how we connect  
the global automotive industry  
with high performance  
connector systems.

[www.kostal-kontakt-systeme.com](http://www.kostal-kontakt-systeme.com)

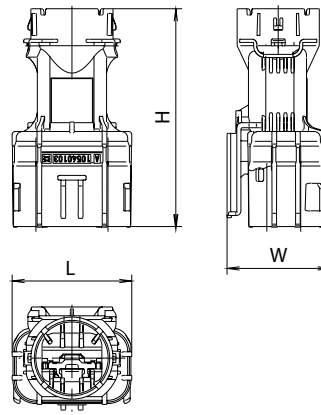


## DIMENSIONS

Receptacle Housing



Tab Housing



## TECHNICAL DATA

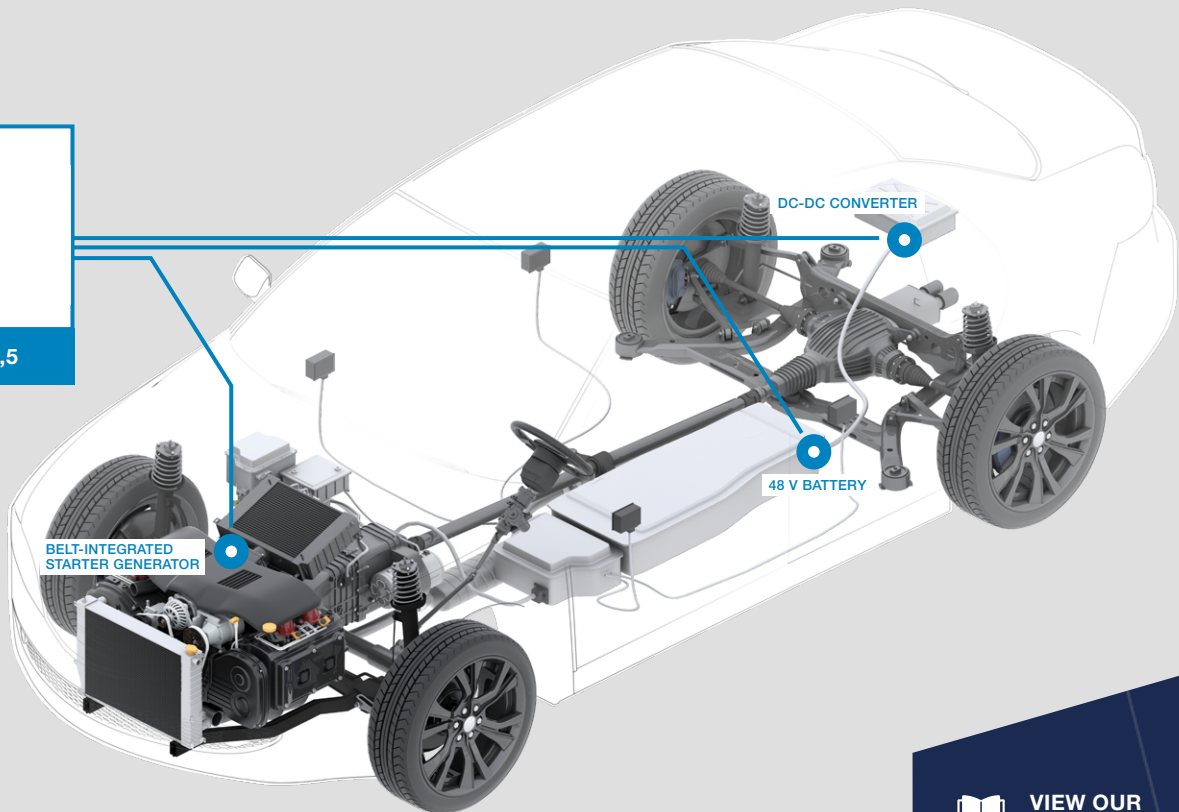
Receptacle Housing 180°

Tab Housing

Cavities	PN Code A	Dimensions L x H x W (mm)	PN Code A	Dimensions L x H x W (mm)
1	12162888	41.6 x 75.55 x 34.05	12163009	38 x 69.2 x 32.75



PLK 14,5



BELT-INTEGRATED STARTER GENERATOR

48 V BATTERY

DC-DC CONVERTER



## COMPATIBLE WITH



Terminal PLK 14,5



VIEW OUR  
PRODUCT CATALOGUE



CONTACT US:  
kks\_portfolio@kostal.com