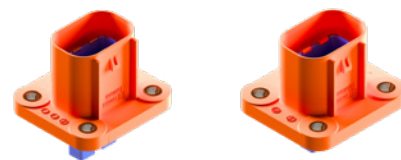
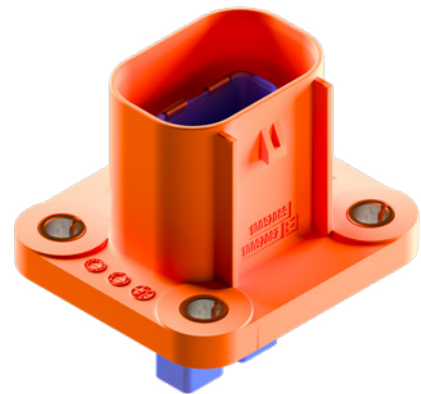


HV CLASS 1 SLK 2,8

Robust. Simple. Approved.

- ⊕ Water proof sealed connection system
- ⊕ HVIL integration
- ⊕ Touch protection
- ⊕ Multiple codings



APPLICATIONS

- DC-DC converter
- Electric steering and braking
- HV climate compressor
- HV heater
- On-Board Charger (OBC)
- And other devices

FEATURES



Current Carrying Capacity
37 A continuous
@ 80 °C / 4 mm²



EMI Shielding Class
50 dB (0.1 - 40 MHz)



Voltage Range
1000 V @ 4000 m ASL
(2+2 - way)



Sealing Protection
IP67, IP6K9K



Temperature
-40 °C to 140 °C



Touch Protection
IPxxB



Cable Cross-Section
2 x 4 mm²



Validation acc. to
LV-215

we **C**onnect

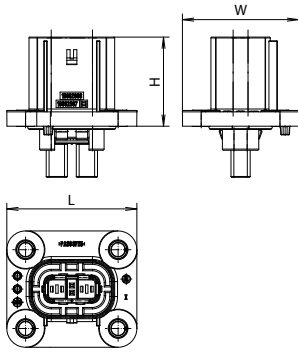
Experience how we connect the global automotive industry with high performance connector systems.

www.kostal-kontakt-systeme.com

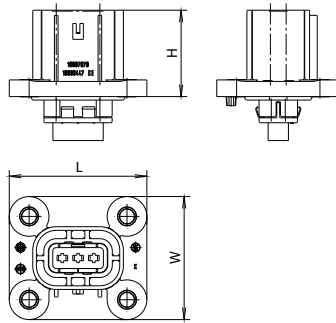


DIMENSIONS

Tab Header 2-way



Tab Header 3-way



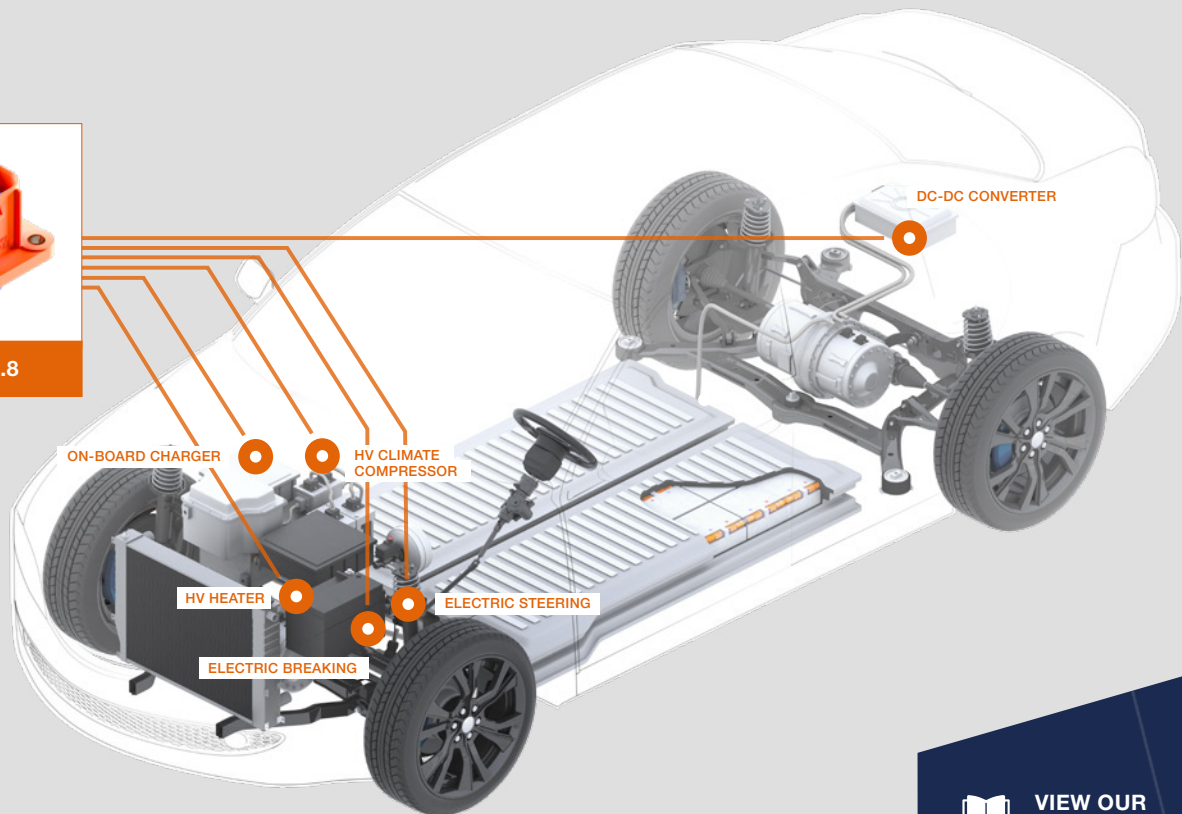
TECHNICAL DATA

Tab Header

Cavities	PN Code C	Dimensions L x H x W (mm)	Other Codings
2 + 2	10092089	45.4 x 31.1 x 40.6	D + G
3	10097070 + 10096239 10096446 + 10096456	45.4 x 28.5 x 40.6	-



SLK 2.8



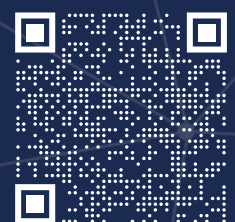
COMPATIBLE WITH



SLK 2,8



VIEW OUR
PRODUCT CATALOGUE



CONTACT US:
kks_portfolio@kostal.com