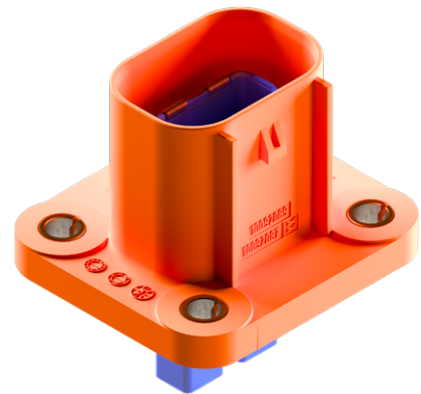


# HV CLASS 1 SLK 2,8

## Robust. Simple. Approved.

- ⊕ Water proof sealed connection system
- ⊕ HVIL integration
- ⊕ Touch protection
- ⊕ Multiple codings



### APPLICATIONS

- DC-DC converter
- Electric steering and breaking
- HV climate compressor
- HV heater
- On-Board Charger (OBC)
- And other devices

### FEATURES



#### Current Carrying Capacity

37 A continuous  
@ 80 °C / 4 mm<sup>2</sup>



#### EMI Shielding Class

50 dB (0.1 - 40 MHz)



#### Voltage Range

1000 V @ 4000 m ASL  
(2+2 - way)



#### Sealing Protection

IP67, IP6K9K



#### Temperature

-40 °C to 140 °C



#### Touch Protection

IPxxB



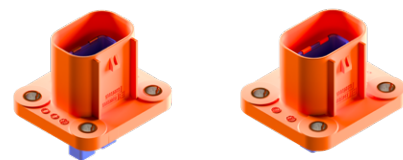
#### Cable Cross-Section

2 x 4 mm<sup>2</sup>



#### Validation acc. to

LV-215



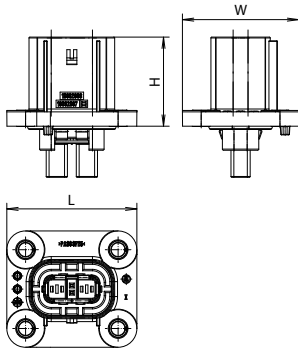
Experience how we connect the global automotive industry with high performance connector systems.

[www.kostal-kontakt-systeme.com](http://www.kostal-kontakt-systeme.com)

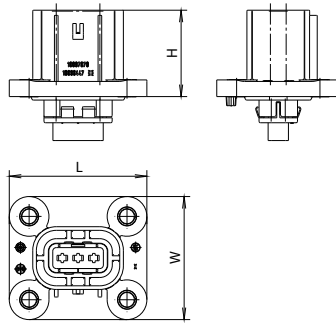


## DIMENSIONS

Tab Header 2-way



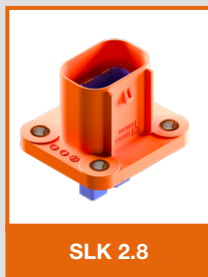
Tab Header 3-way



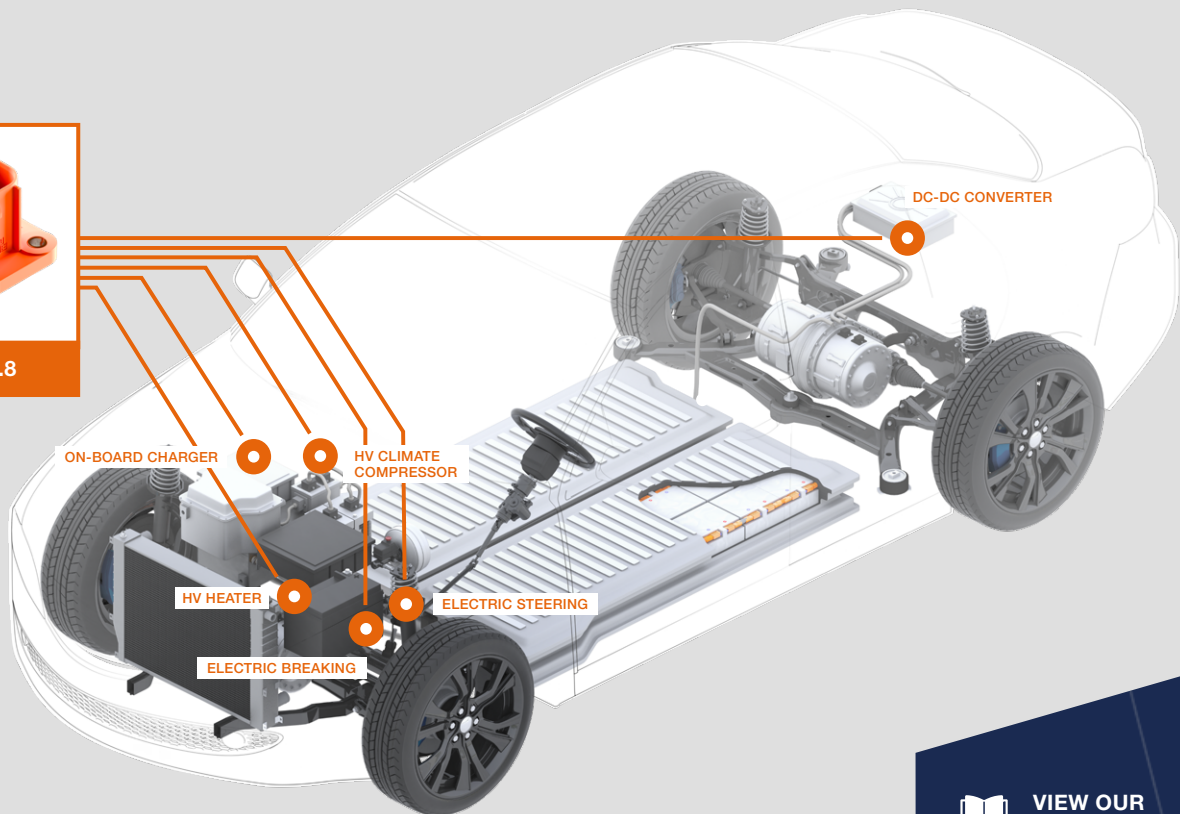
## TECHNICAL DATA

Tab Header

Cavities	PN Code C	Dimensions L x H x W (mm)	Other Codings
2 + 2	10092089	45.4 x 31.1 x 40.6	D + G
3	10097070 + 10096239 10096446 + 10096456	45.4 x 28.5 x 40.6	-



SLK 2.8



## COMPATIBLE WITH



Terminal SLK 2,8



VIEW OUR  
PRODUCT CATALOGUE



CONTACT US:  
kks\_portfolio@kostal.com