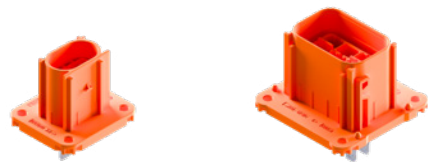
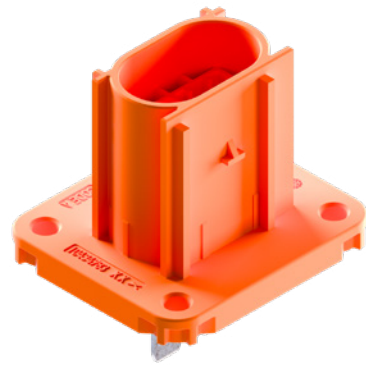


HV CLASS 2

6.3

Robust. Simple. Approved.

- ⊕ Water proof sealed connector system
- ⊕ HVIL optional
- ⊕ Touch protection
- ⊕ Multiple coding
- ⊕ Robust design



APPLICATIONS

- On-Board Charger (OBC)
- And other devices

FEATURES



Current Carrying Capacity
50 A continuous
@ 80 °C / 6 mm²



Sealing Protection
IPX7, IP6K9K



Voltage Range
630 V



Designed acc.
DIN TS 72036



Temperature
-40 °C to 105 °C



Touch Protection
IPxxB



Cable Cross-Section
4 mm² and 6 mm²



Validation acc. to
LV-215

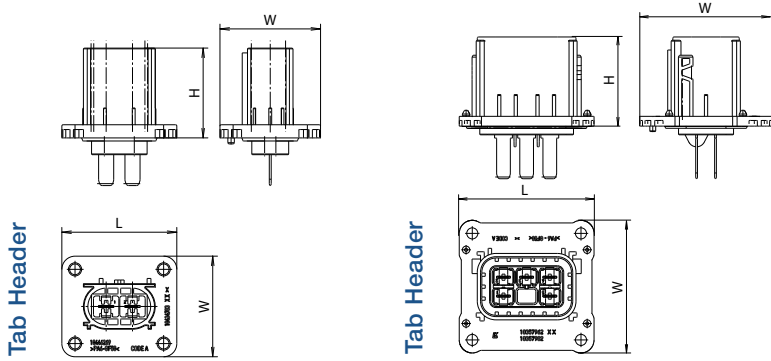
we **connect**

Experience how we connect the global automotive industry with high performance connector systems.

www.kostal-kontakt-systeme.com



DIMENSIONS



TECHNICAL DATA

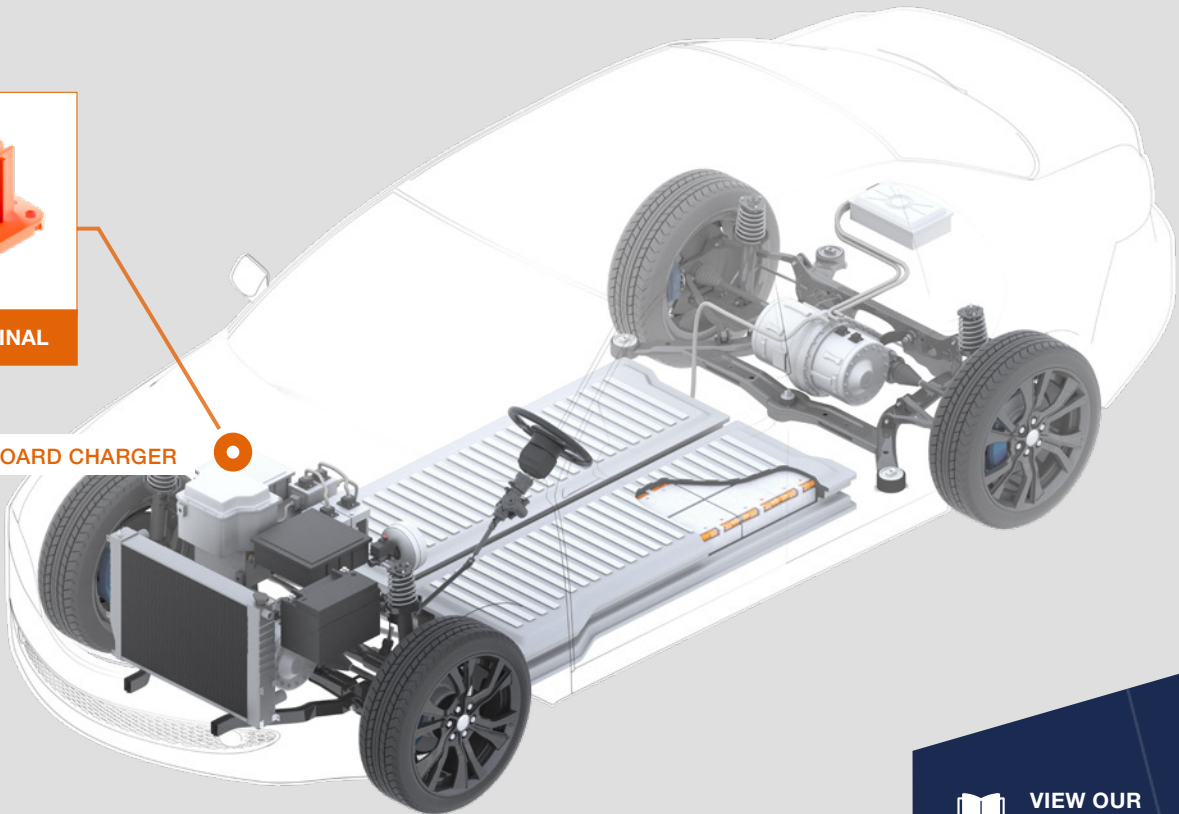
Tab Header

Cavities	PN Code A	Dimensions L x H x W (mm)
2	10446269	48 x 37.5 x 42
5	10357982	62 x 41 x 61



6.3 TERMINAL

ON-BOARD CHARGER



COMPATIBLE WITH

Compatible with
standard industry
6.3 terminal



VIEW OUR
PRODUCT CATALOGUE



CONTACT US:
kks_portfolio@kostal.com