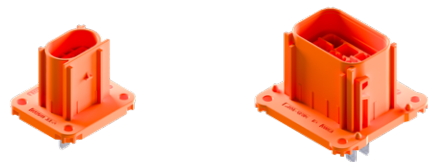
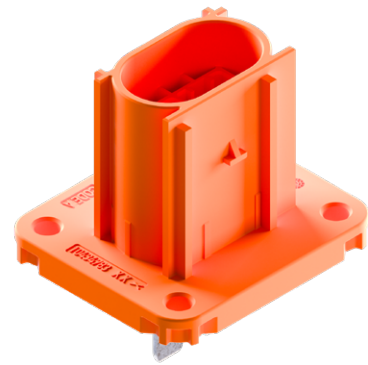


## HV CLASS 2

## 6.3

Robust. Simple. Approved.

- ⊕ Water proof sealed connector system
- ⊕ HVIL optional
- ⊕ Touch protection
- ⊕ Multiple coding
- ⊕ Robust design



## APPLICATIONS

- On-Board Charger (OBC)
- And other devices

## FEATURES



## Current Carrying Capacity

50 A continuous  
@ 80 °C / 6 mm<sup>2</sup>



## Sealing Protection

IPX7, IP6K9K



## Voltage Range

630 V



## Designed acc.

DIN TS 72036



## Temperature

-40 °C to 105 °C



## Touch Protection

IPxxB



## Cable Cross-Section

4 mm<sup>2</sup> and 6 mm<sup>2</sup>



## Validation acc. to

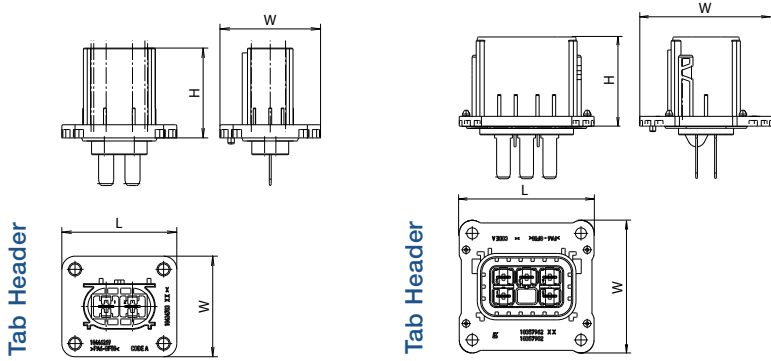
LV-215

Experience how we connect the global automotive industry with high performance connector systems.

[www.kostal-kontakt-systeme.com](http://www.kostal-kontakt-systeme.com)



## DIMENSIONS



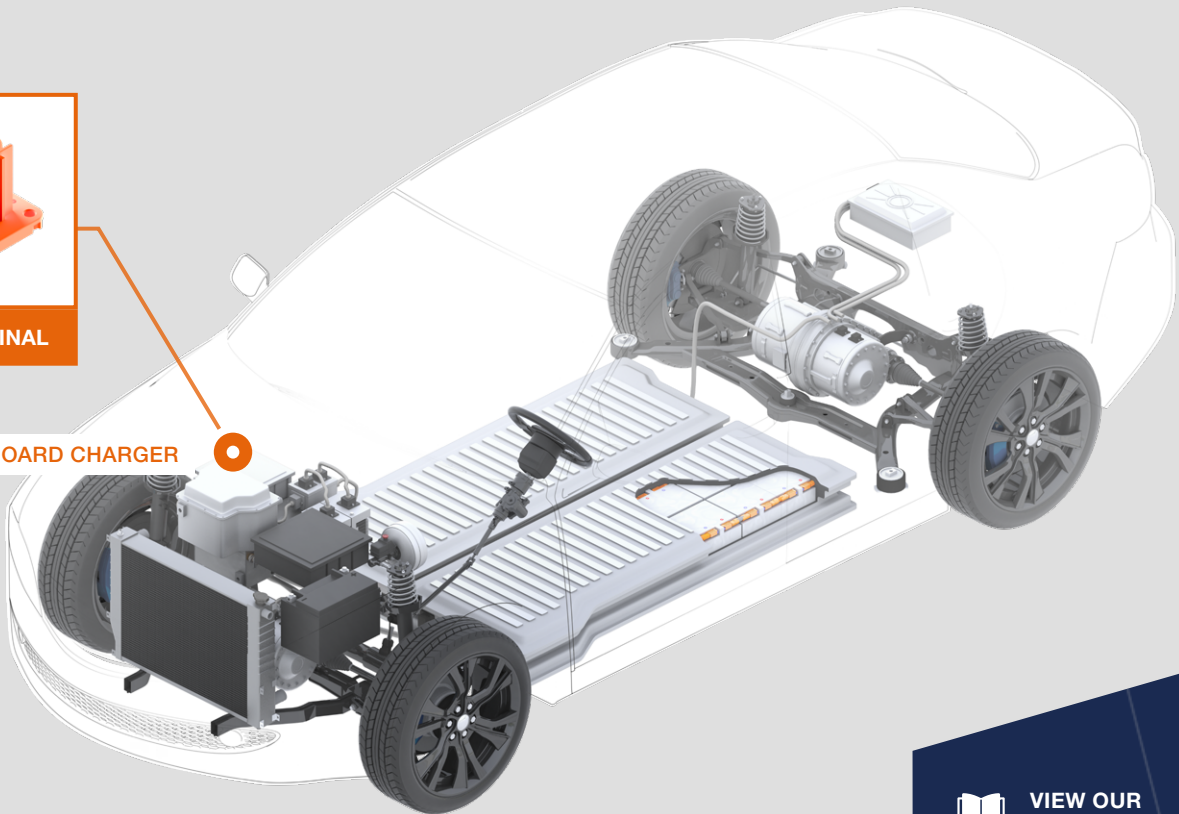
## TECHNICAL DATA

Tab Header

| Cavities | PN Code A | Dimensions<br>L x H x W (mm) |
|----------|-----------|------------------------------|
| 2        | 10446269  | 48 x 37.5 x 42               |
| 5        | 10357982  | 62 x 41 x 61                 |



ON-BOARD CHARGER



## COMPATIBLE WITH

Compatible with  
standard industry  
6.3 terminal



VIEW OUR  
PRODUCT CATALOGUE



CONTACT US:  
kks\_portfolio@kostal.com