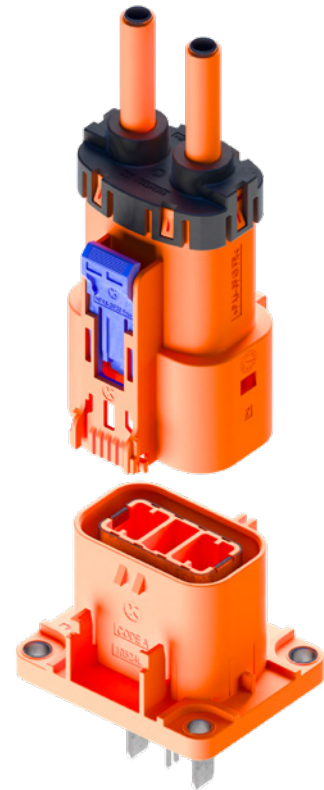


HV CLASS 2

SLK 5,8 v.1

Made for On-Board Chargers.

- ⊕ Touch protection
- ⊕ Multiple codings
- ⊕ With CPA
- ⊕ With HVIL
- ⊕ V0 Material
- ⊕ Multiple tab header variants



APPLICATIONS

- DC-DC converter
- Electric steering and breaking
- HV heater
- HV climate compressor
- On-Board Chargers
- And other devices

FEATURES



Current Carrying Capacity

45 A continuous
@ 80 °C / 6 mm²



Voltage Range

1000 V @ 4000 m ASL



Temperature

-40 °C to 140 °C



Cable Cross-Section

3 mm² shielding wire
(ES91110-14)
4 mm² shielding wire
(LV216)
6 mm² shielding wire
(LV216, ES91110-14)



EMI Shielding Class

40 dB (0.5 - 1.7 MHz)
30 dB (70 - 108 MHz)



Sealing Protection

IP67, IP6K9K



Touch Protection

IPxxB, IPxxD



Validation acc. to

ES91500-00/ES91500-20
LV214/LV215

we  connect

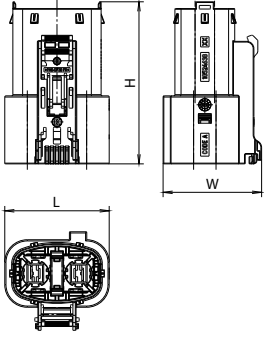
Experience how we connect the global automotive industry with high performance connector systems.

www.kostal-kontakt-systeme.com

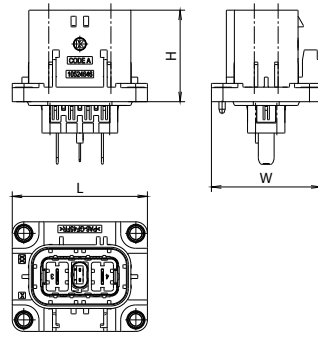


DIMENSIONS

Receptacle Housing



Tab Header



TECHNICAL DATA

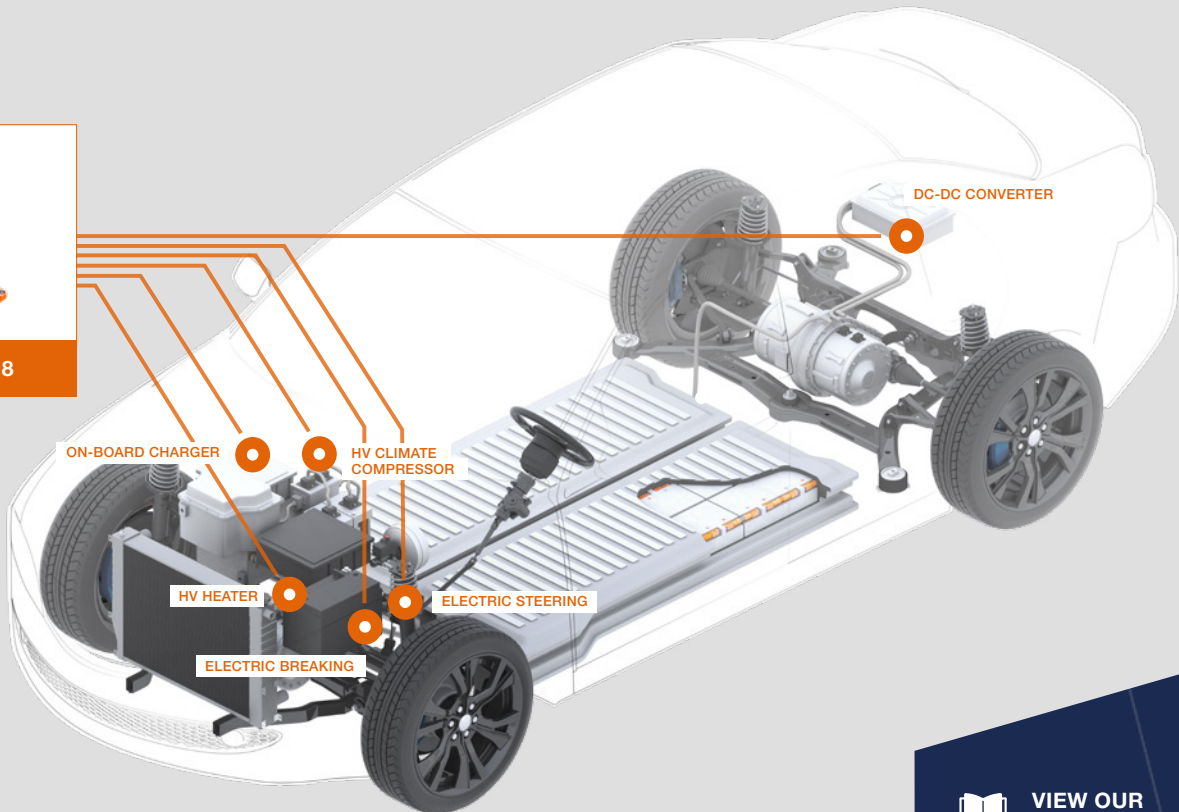
Receptacle Housing 2 + 2

Tab Header

Cavities	PN Code A	Dimensions L x H x W (mm)	PN Code A	Dimensions L x H x W (mm)	Other Codings
2 + 2	10524634	43.3 x 67.2 x 40.85	10524642	53.9 x 36.5 x 43.7	B



SLK 5,8



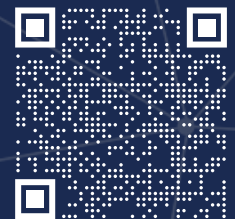
COMPATIBLE WITH



SLK 5,8



VIEW OUR
PRODUCT CATALOGUE



CONTACT US:
kks_portfolio@kostal.com