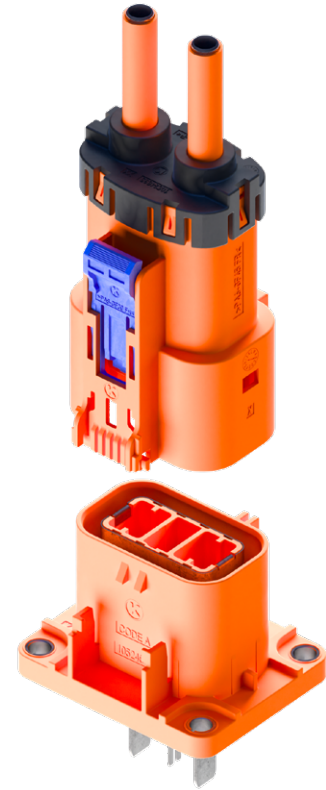


HV CLASS 2

SLK 5,8 Ver. 1

Made for on-board chargers.

- ⊕ Touch protection
- ⊕ Multiple codings
- ⊕ With CPA
- ⊕ With HVIL
- ⊕ V0 material
- ⊕ Multiple tab header variants



APPLICATIONS

- DC-DC converter
- Electric steering and braking
- HV heater
- HV climate compressor
- On-Board Chargers (OBC)
- And other devices

FEATURES



Current Carrying Capacity

45 A continuous
@ 80 °C / 6 mm²



EMI Shielding Class

40 dB (0.5 - 1.7 MHz)
30 dB (70 - 108 MHz)



Voltage Range

1000 V @ 4000 m ASL



Sealing Protection

IP67, IP6K9K



Temperature

-40 °C to 140 °C



Touch Protection

IPxxB, IPxxD



Cable Cross-Section

3 mm² shielding wire
(ES91110-14)
4 mm² shielding wire
(LV216)
6 mm² shielding wire
(LV216, ES91110-14)

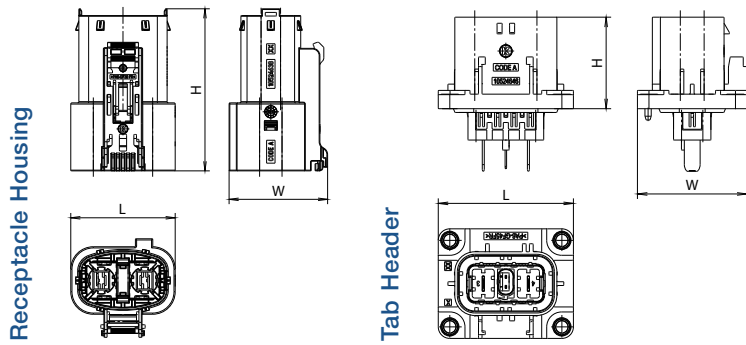


Validation acc. to
ES91500-00/ES91500-20
LV214/LV215

Experience how we connect
the global automotive industry
with high performance
connector systems.

www.kostal-kontakt-systeme.com

DIMENSIONS

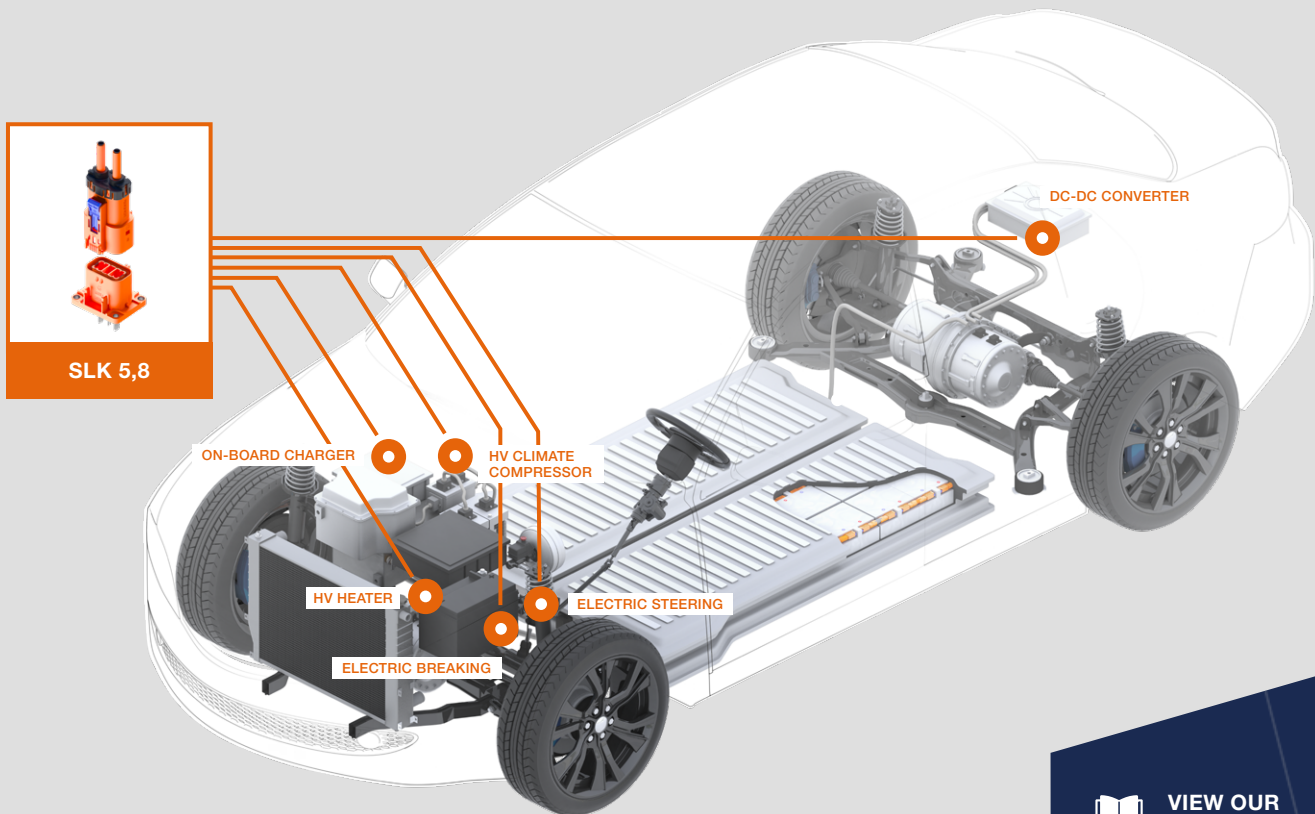


TECHNICAL DATA

Receptacle Housing 2 + 2

Tab Header

Cavities	PN Code A	Dimensions L x H x W (mm)	PN Code A	Dimensions L x H x W (mm)	Other Codings
2 + 2	10524634	43.3 x 67.2 x 40.85	10524642	53.9 x 36.5 x 43.7	B



COMPATIBLE WITH



 VIEW OUR PRODUCT CATALOGUE



 CONTACT US:
kks_portfolio@kostal.com