

HV CLASS 2

SLK 5,8 Ver.2

Easy. Safe. Robust. Efficient.

- ⊕ Water proof sealed connection system
- ⊕ HVIL integration
- ⊕ Touch protection
- ⊕ Multiple codings
- ⊕ V0 material
- ⊕ Header includes wire and tabs solution



APPLICATIONS

- DC-DC converter
- Electric steering and braking
- HV heater
- HV climate compressor
- On-Board Charger (OBC)
- And other devices

FEATURES



Current Carrying Capacity

53 A continuous
@ 80 °C / 6 mm²



Sealing Protection

IP67, IP6K9K



Voltage Range

600 V @ 5500 m ASL



EMI Shielding Class

100 kHz - 300 MHz
< 10 mΩ



Temperature

-40 °C to 125 °C



Touch Protection

IPxxB



Cable Cross-Section

4 mm² and 6 mm²



Validation acc. to

B21 7050

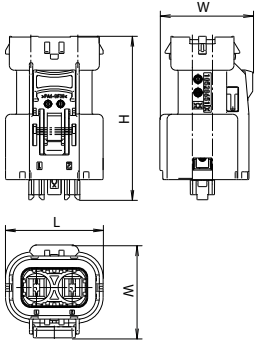
Experience how we connect
the global automotive industry
with high performance
connector systems.

www.kostal-kontakt-systeme.com

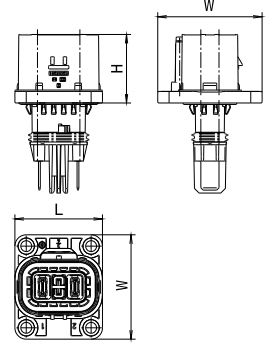
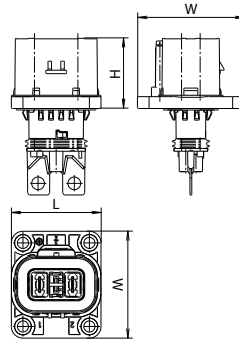
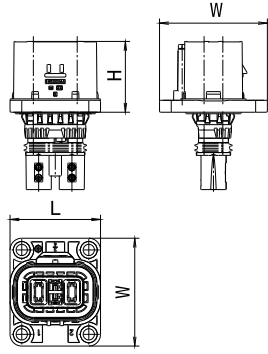


DIMENSIONS

Receptacle Housing



Tab Header

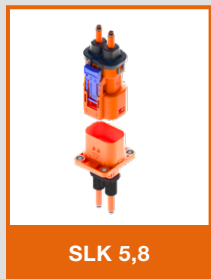


TECHNICAL DATA

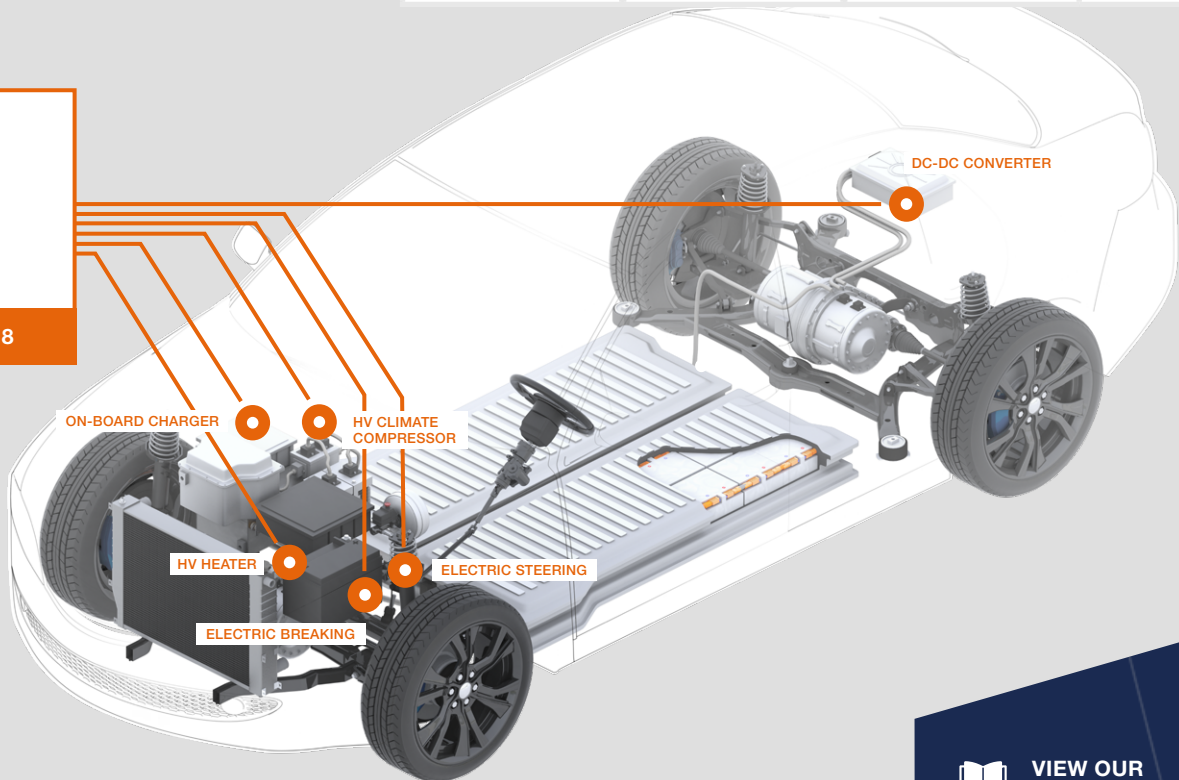
Receptacle Housing 2 + 2

Tab Header

Cavities	PN Code A	Dimensions L x H x W (mm)	PN Code A	Connection Types	Dimensions L x H x W (mm)	Other Codings
2 + 2	10528386	38.8 x 65 x 36.93	10528362	crimped tab-terminal	38.6 x 28.9 x 46	A - D
			10528373	bolted	38.6 x 28.9 x 46	A - D
			10528380	PCB	38.6 x 28.9 x 46	A - D



SLK 5,8



COMPATIBLE WITH



Terminal SLK 5,8



VIEW OUR
PRODUCT CATALOGUE



CONTACT US:
kks_portfolio@kostal.com