

HV CLASS 3

LSK 8 Ver. 1

Small profile. Big performance.

- ⊕ Water proof sealed connection system
- ⊕ HVIL integration
- ⊕ Touch protection
- ⊕ Multiple codings
- ⊕ Header includes wire and tabs solution



APPLICATIONS

- Electric steering and breaking
- E-Motor
- HV-Battery
- HV climate compressor
- Inverter
- On-Board Charger (OBC)
- And other devices

FEATURES



Current Carrying Capacity

105 A continuous
@ 80 °C / 16 mm²



EMI Shielding Class

100 kHz 300MHz
< 10 mΩ



Voltage Range

600 V @ 5500 m ASL



Sealing Protection

IP67, IP6K9K



Temperature

-40 °C to 125 °C



Touch Protection

IPxxB



Cable Cross-Section

4 mm², 6 mm² and
10 mm²



Validation acc. to

B21 70 50 E

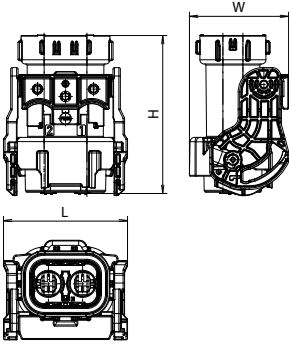
Experience how we connect the global automotive industry with high performance connector systems.

www.kostal-kontakt-systeme.com

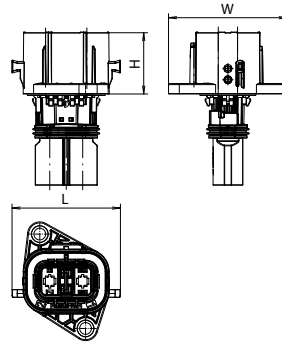


DIMENSIONS

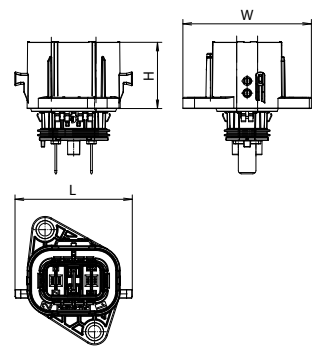
Receptacle Housing



Tab Header



Tab Header



TECHNICAL DATA

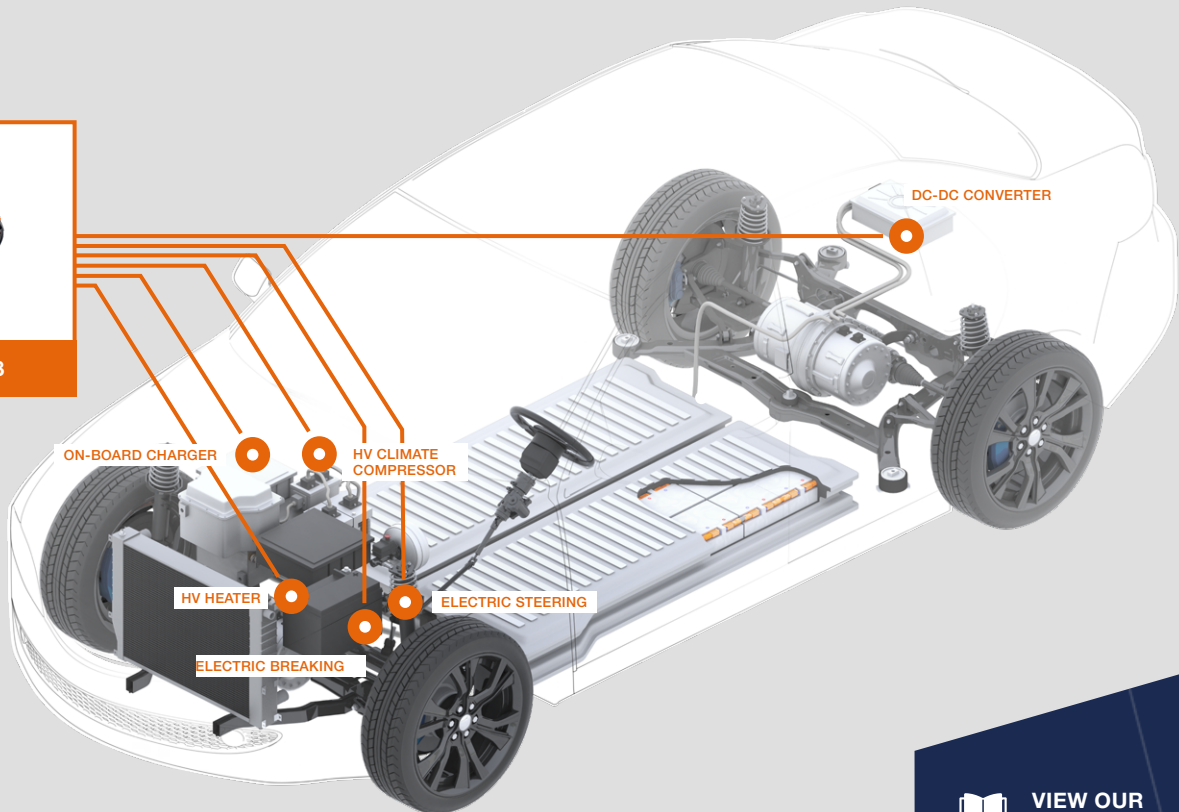
Receptacle Housing with CPA

Tab Header

Cavities	PN Code A	Dimensions L x H x W (mm)	PN Code A	Dimensions L x H x W (mm)	Other Codings
2 + 2	10527202	58.8 x 74.9 x 47.01	10527221	53.3 x 30.1 x 58.4	A - D
			10527234	53.3 x 30.1 x 58.4	A - D



LSK 8



COMPATIBLE WITH



Terminal LSK 8



VIEW OUR
PRODUCT CATALOGUE



CONTACT US:
kks_portfolio@kostal.com