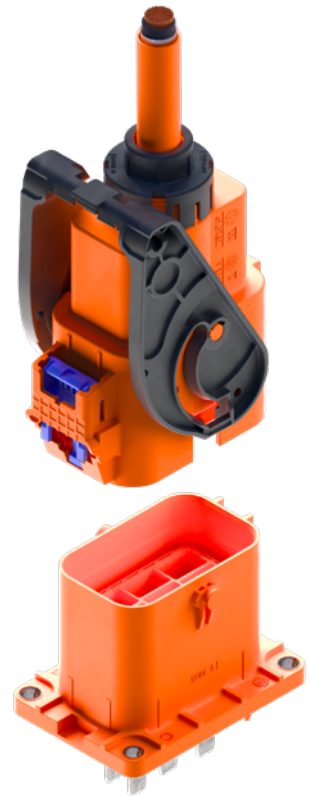


# HV CLASS 3 LSK 8 v.2

Waterproof sealed connection system

- ⊕ Touch protection
- ⊕ Multiple codings
- ⊕ With CPA
- ⊕ V0 Material



## APPLICATIONS

- On-Board Charger (OBC)
- And other devices

## FEATURES



### Current Carrying Capacity

65 A continuous  
@ 80 °C / 6 mm<sup>2</sup>



### Sealing Protection

IP67, IP6K9K



### Voltage Range

600 V @ 4000 m ASL



### EMI Shielding Class

40 dB (0.5 - 1.7 MHz)  
30 dB (70 - 108 MHz)



### Temperature

-40 °C to 140 °C



### Touch Protection

IPxxB



### Cable Cross-Section

6 mm<sup>2</sup> (ES91110-14)



### Validation acc. to

LV-215  
ES91500-20

we **C**onnect

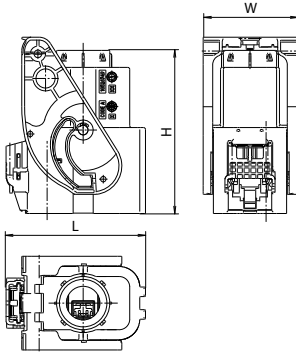
Experience how we connect the global automotive industry with high performance connector systems.

[www.kostal-kontakt-systeme.com](http://www.kostal-kontakt-systeme.com)

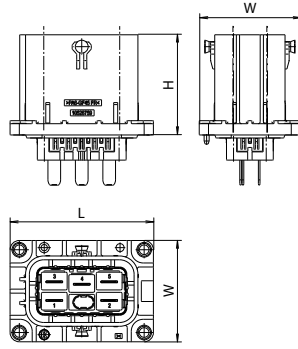


## DIMENSIONS

Receptacle Housing



Tab Header



## TECHNICAL DATA

Receptacle Housing with CPA

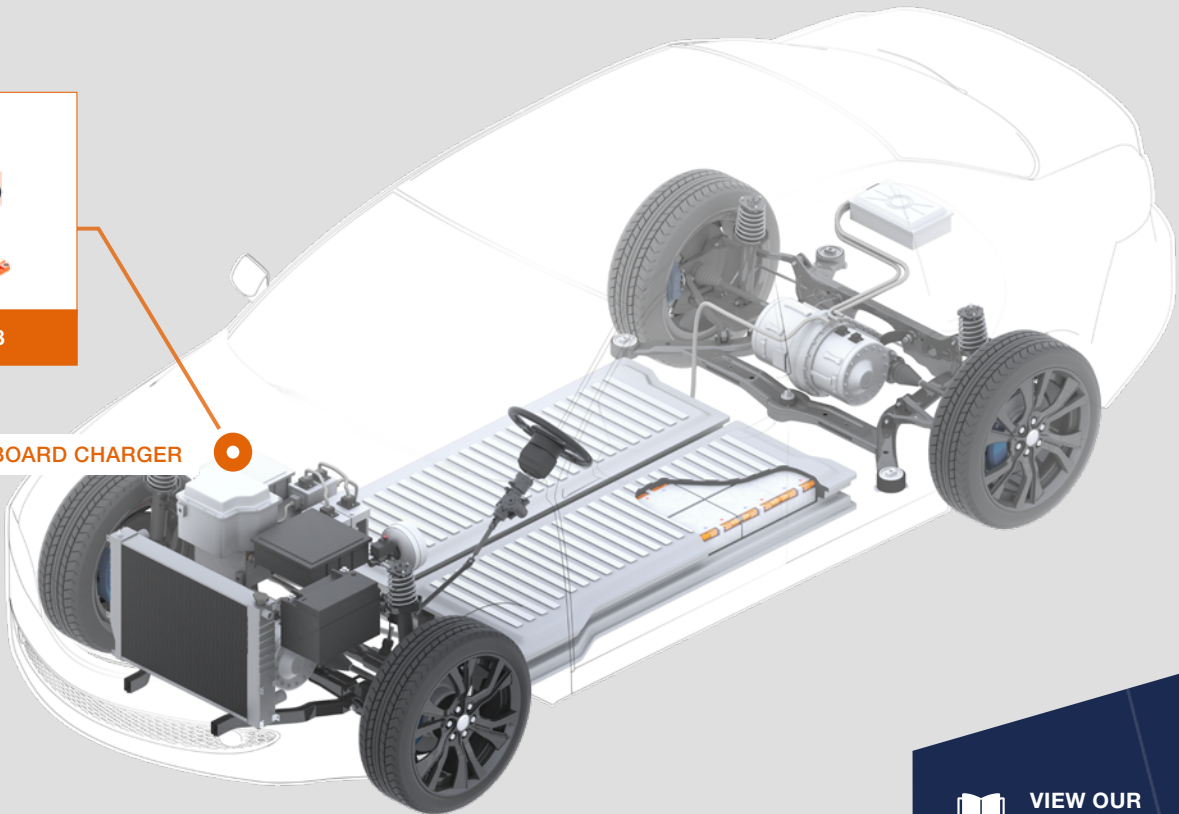
Tab Header

Cavities	PN Code A	Dimensions L x H x W (mm)	PN Code A	Dimensions L x H x W (mm)
5 + 2	10526748	73 x 85.4 x 49.05	10526758	71.25 x 49.8 x 50.35



LSK 8

ON-BOARD CHARGER



## COMPATIBLE WITH



LSK 8



VIEW OUR  
PRODUCT CATALOGUE



CONTACT US:  
kks\_portfolio@kostal.com