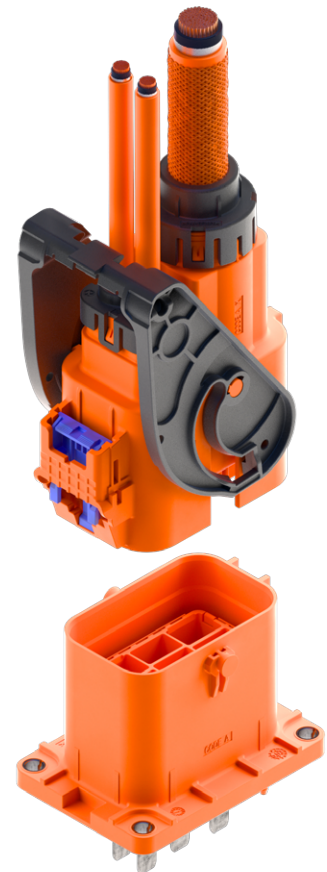


HV CLASS 3

LSK 8 & SLK 5,8

Made for on-board chargers.

- ⊕ HVIL integration (on demand)
- ⊕ Touch protection
- ⊕ Multiple codings
- ⊕ With CPA
- ⊕ V0 material



APPLICATIONS

- On-Board Charger (OBC)
- And other devices

FEATURES



Current Carrying Capacity
AC 65 A @
80 °C continuous



Sealing Protection
IP67, IP6K9K



Voltage Range
600 V @ 4000 m ASL



Touch Protection
IPxxB / IPxxD



Temperature
-40 °C to 140 °C



Validation acc. to
ES91500-20



EMI Shielding Class
≥ 40 dB (510kHz~1710kHz)
≥ 30 dB (70MHz~108MHz)

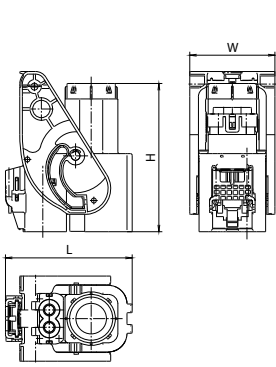
Experience how we connect the global automotive industry with high performance connector systems.

www.kostal-kontakt-systeme.com

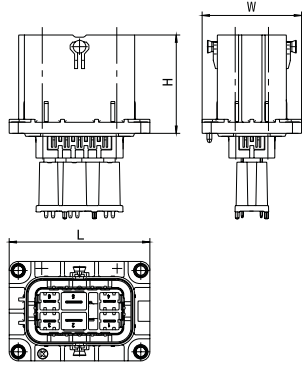


DIMENSIONS

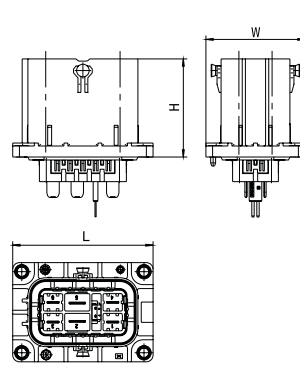
Receptacle Housing



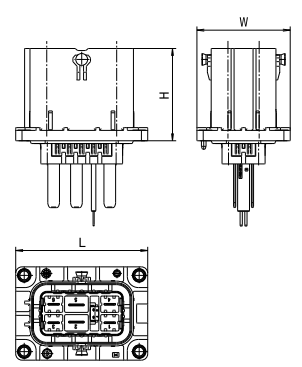
Tab Header



Tab Header short (with HVIL)



Tab Header long (with HVIL)



TECHNICAL DATA

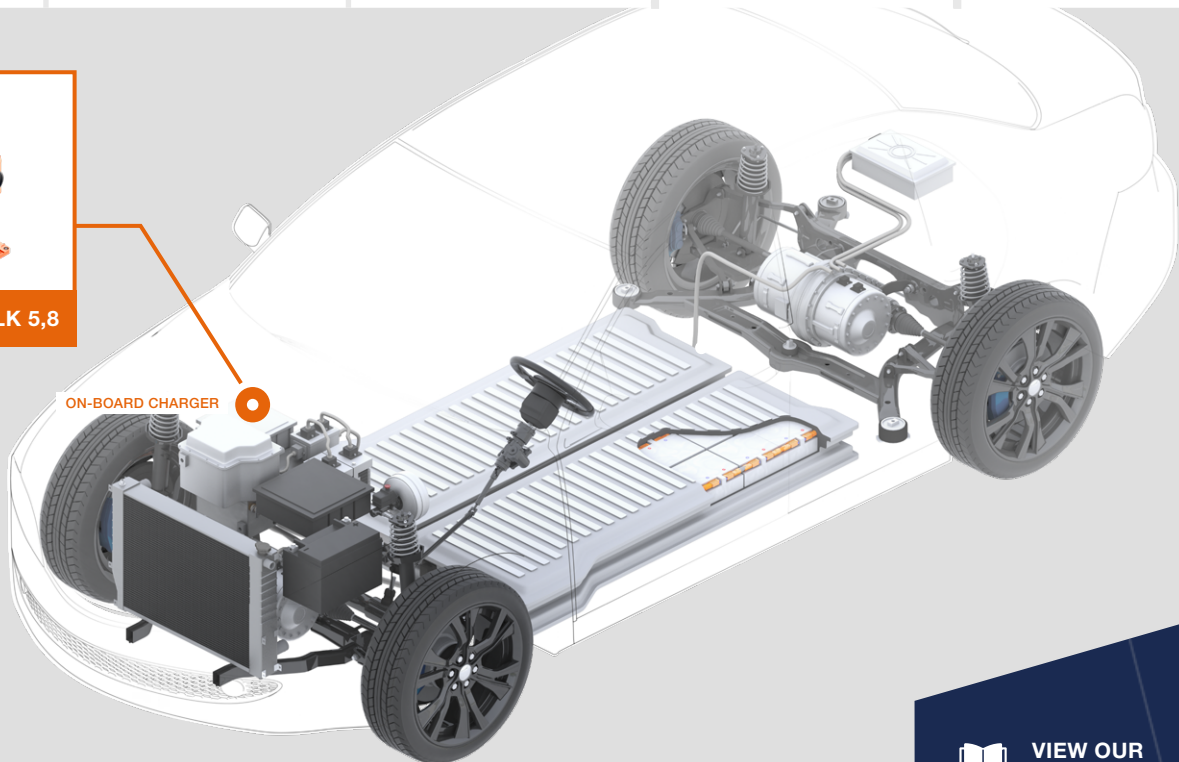
Receptacle Housing

Tab Header

Cavities	PN Code A	Dimensions L x H x W (mm)	PN Code A	Dimensions L x H x W (mm)
6	10531101	73 x 85.4 x 49.05	10531191+10543399	71.25 x 49.8 x 50.35
6+2 short	10531101	71.25 x 49.8 x 50.35	12184826	71.25 x 49.8 x 50.35
6+2 long	10531101	71.25 x 49.8 x 50.35	12185832	71.25 x 49.8 x 50.35



LSK 8 & SLK 5,8



ON-BOARD CHARGER



COMPATIBLE WITH



Terminal LSK 8



Terminal SLK 5,8



VIEW OUR
PRODUCT CATALOGUE



CONTACT US:
kks_portfolio@kostal.com