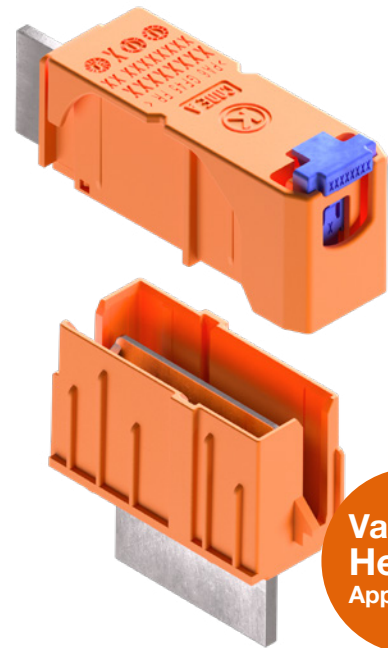


## HV CLASS 4

**KS 22 Battery Module Connector**

Easy. Safe. Robust. Efficient.

- ⊕ Touch protection
- ⊕ Multiple codings
- ⊕ Provides flexible connection
- ⊕ Automated robotic connector assembly
- ⊕ Low and stable resistance connection system



**Variable  
Header  
Application**

**APPLICATIONS**

- Batteries
- High voltage / high-current Battery Module Connector
- Inside sealed areas

**FEATURES**

**Current Carrying Capacity**  
359 A continuous  
@ 80 °C / 95 mm<sup>2</sup>



**Cable Cross-Section**  
16 - 95 mm<sup>2</sup>



**Voltage Range**  
1000 V @ 5800 m ASL  
(max. 3300 V DC)



**Touch Protection**  
IPxxB / IPxxD



**Temperature**  
-40 °C to 140 °C



**Validation acc. to**  
LV-215  
USCAR

**we connect**

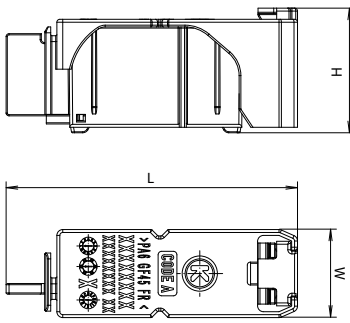
Experience how we connect the global automotive industry with high performance connector systems.

[www.kostal-kontakt-systeme.com](http://www.kostal-kontakt-systeme.com)

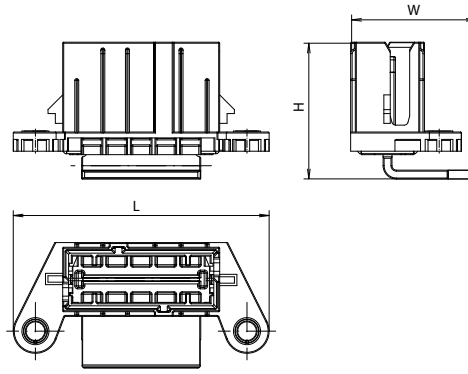


## DIMENSIONS

Receptacle Housing



Tab Header



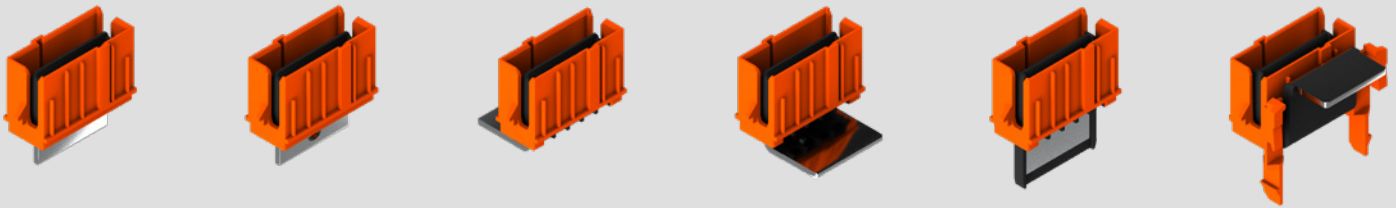
## TECHNICAL DATA

Receptacle Housing with CPA

Tab Header

Cavities	PN Code A	Dimensions L x H x W (mm)	PN Code A	Dimensions L x H x W (mm)
1	Code A 10506461 Code B 10508701	49.65 x 21.23 x 15	Code A 10537804 Code B 10538244	37.9 x 31.3 x 15

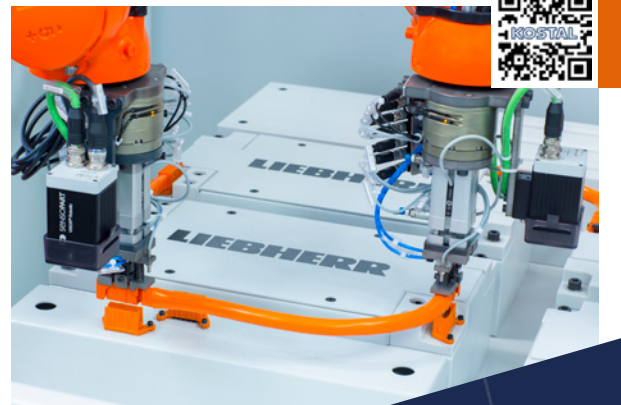
## EXAMPLES FOR VARIABLE HEADER APPLICATION



### AUTOMATED ROBOTIC CONNECTOR ASSEMBLY

KOSTAL Kontakt Systeme GmbH, together with Liebherr, has developed an innovative solution for the automation of the plugging process of the Battery Module Connector.

- **Easy assembly:** Without additional screws
- **Safety:** Touch-protection of high voltage contacts
- **Robustness:** Flexible conductor for high tolerance compensation
- **Serviceability:** Easy disassembly without tools
- **Performance:** Optimized contact system designed for e-mobility



## COMPATIBLE WITH



KT 22



VIEW OUR  
PRODUCT CATALOGUE



CONTACT US:  
kks\_portfolio@kostal.com