

HV CLASS 5

KS 22

Small profile. Big performance.

- ⊕ Water proof sealed connection system
- ⊕ HVIL integration
- ⊕ Touch protection
- ⊕ Tab-header attachable with single screw in sealed area
- ⊕ Various cable types validated
- ⊕ Shielded and unshielded optional



APPLICATIONS

- High voltage/high-current modules:
- Inverter, battery, DC-DC Converter
- And other devices

FEATURES



Current Carrying Capacity
359 A continuous
@ 80 °C / 95 mm²



EMI Shielding Class
< -50 dB (1-300 MHz)



Voltage Range
1000 V at 5800 m ASL
(max. 3300 V DC)



Sealing Protection
IP67, IP6K9K



Temperature
-40 °C to 140 °C



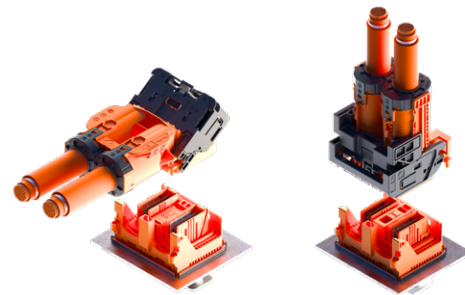
Touch Protection
IPxxB / IPxxD



Cable Cross-Section
50 - 95 mm²,
Cu and Al-wires



Validation acc. to
LV-215
B21 70 50
USCAR

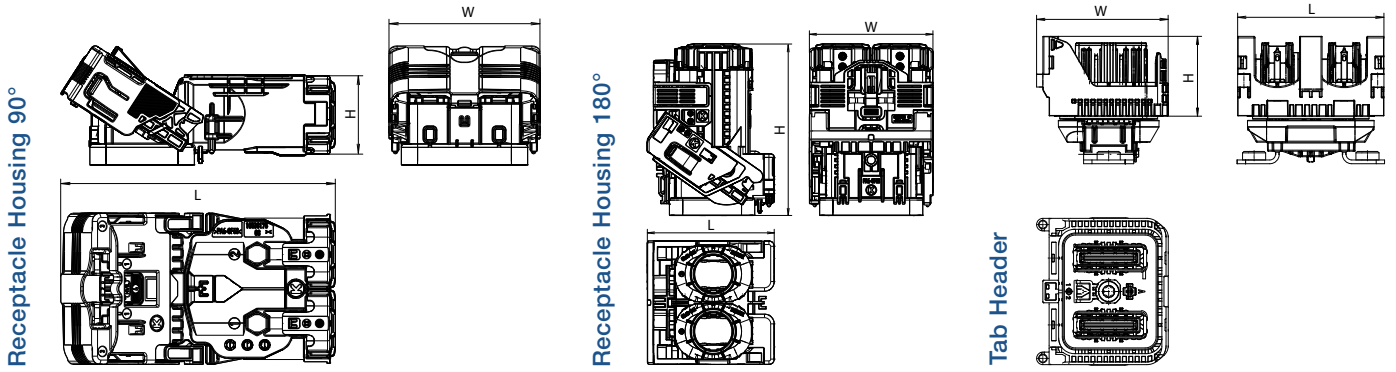


Experience how we connect the global automotive industry with high performance connector systems.

www.kostal-kontakt-systeme.com



DIMENSIONS



TECHNICAL DATA

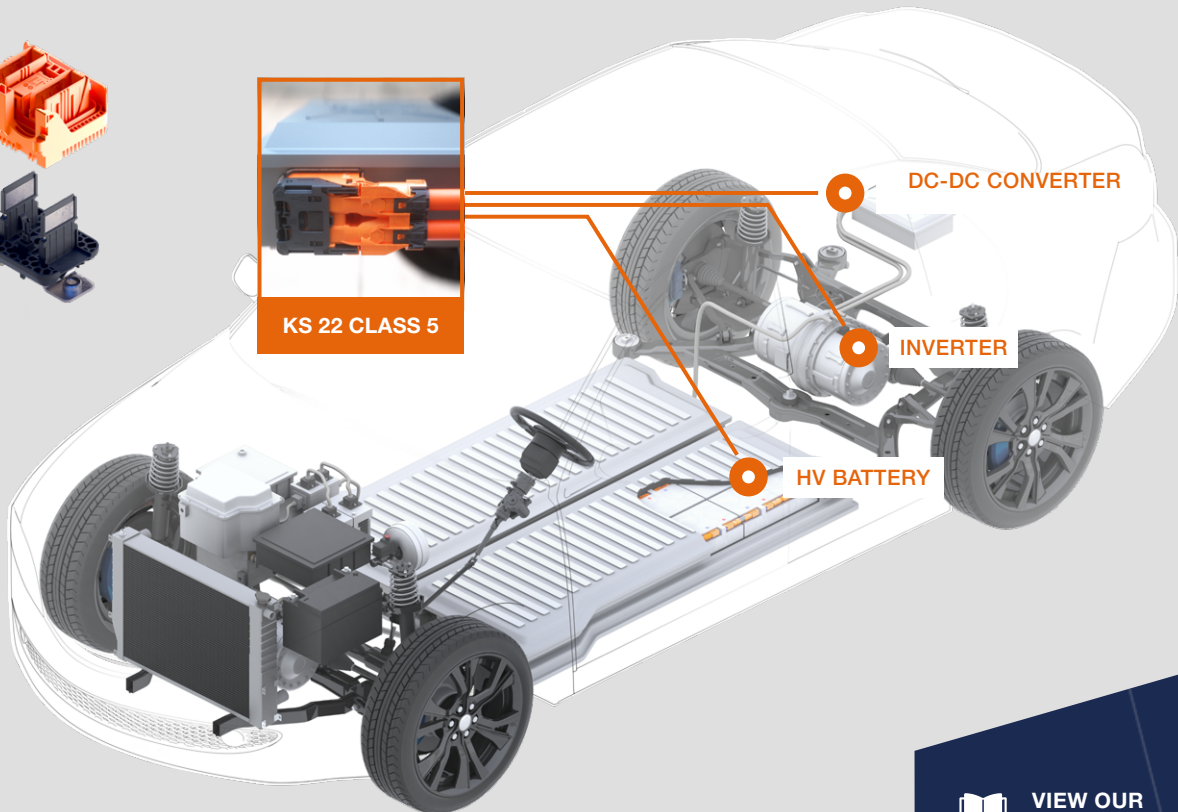
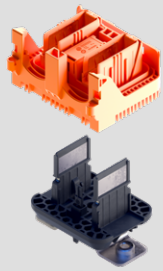
Receptacle Housing 90°

Receptacle Housing 180°

Tab Header

Cavities	PN Code A	Dimensions L x H x W (mm)	PN Code A	Dimensions L x H x W (mm)	PN Code A	Dimensions L x H x W (mm)
2	on request*	127.2 x 41.85 x 70	on request*	72 x 97.4 x 70	on request*	70 x 38.2 x 62.95

VARIABLE HEADER OPTIONS



*Due to the wide range of variants, please contact us for detailed part number information.



COMPATIBLE WITH



Terminal KT 22 90°



Terminal KT 22 180°



VIEW OUR
PRODUCT CATALOGUE



CONTACT US:
kks_portfolio@kostal.com