

# KT 1

Optimized. Reliable. Compact.

- ⊕ Compact connection for pass-through connector systems
- ⊕ Installation space optimized
- ⊕ Adaptation of MLK 1,2 Receptacle Housing to the KT 1 to drive miniaturization



## APPLICATIONS

- E-axle
- Gearbox
- Inverter
- Oil-cooled battery

## FEATURES



**Current Carrying Capacity**  
13 A continuous  
@ 80 °C / 0.75 mm<sup>2</sup>



**Pitch**  
4.0 / 3.5 mm



**Temperature**  
Max. 170 °C (Ag) Terminal  
Max. 130 °C Housing



**Validation acc. to**  
LV 214



**Cable Cross-Section**  
0.35 – 0.75 mm<sup>2</sup> (KT 1)  
0.35 – 0.50 mm<sup>2</sup> (KR 1)

we **connect**

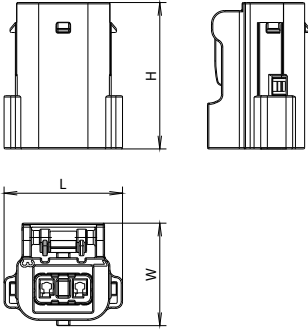
Experience how we connect the global automotive industry with high performance connector systems.

[www.kostal-kontakt-systeme.com](http://www.kostal-kontakt-systeme.com)

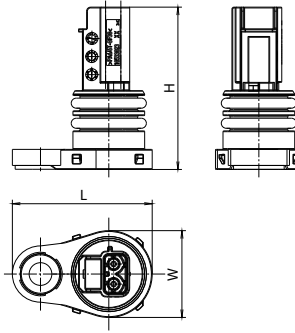


## DIMENSIONS

Receptacle Housing



Pin Housing



## TECHNICAL DATA

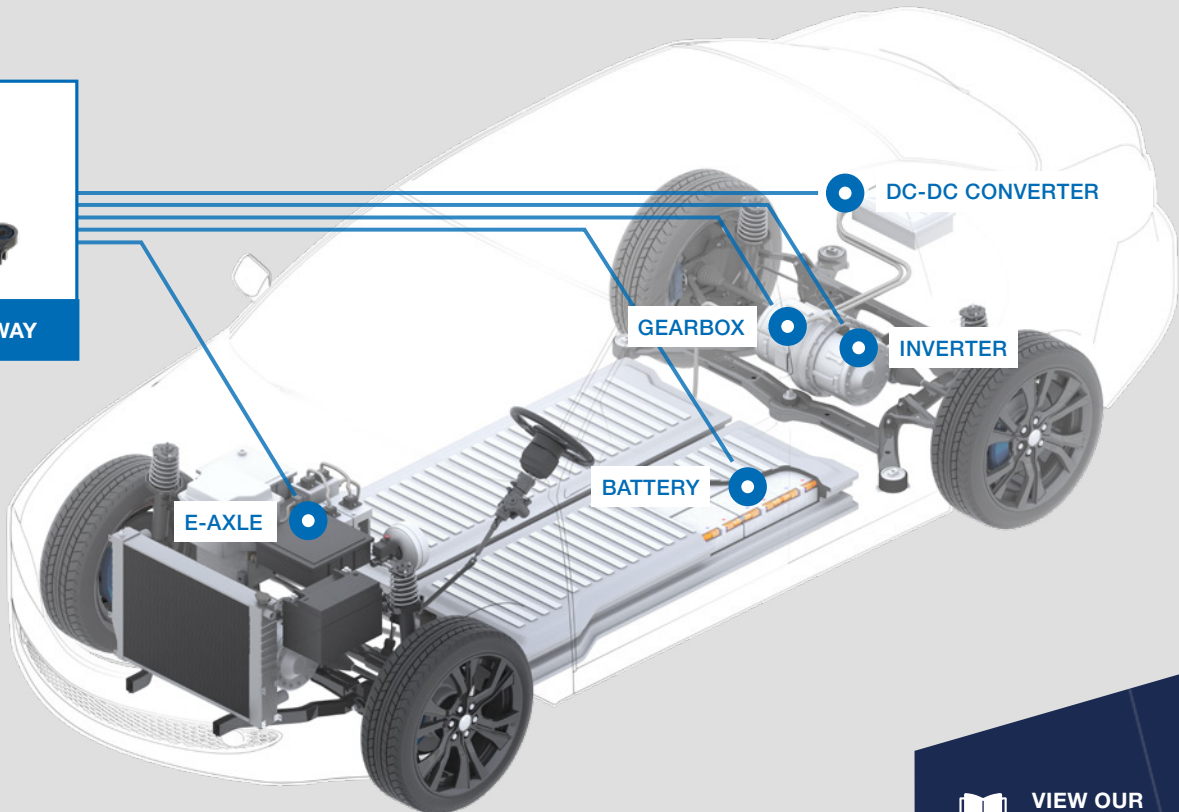
Receptacle Housing with CPA

Pin Housing

Cavities	PN Code C	Dimensions L x H x W (mm)	PN Code C	Dimensions L x H x W (mm)
2	10533498	17.8 x 22 x 15.5	10533044	34.8 x 40.4 x 21.6



KT 1 2-WAY



## COMPATIBLE WITH



KT 1



VIEW OUR  
PRODUCT CATALOGUE



CONTACT US:  
kks\_portfolio@kostal.com