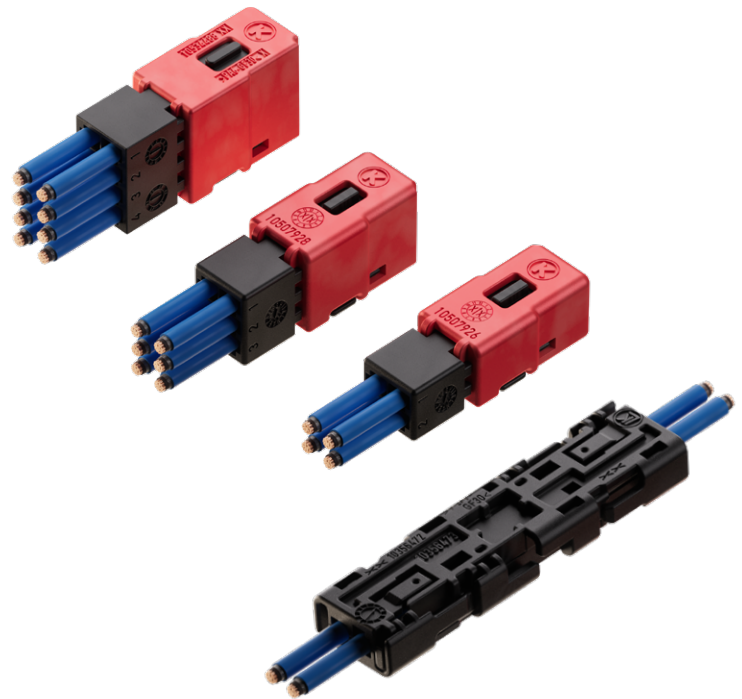


LOW VOLTAGE CONNECTOR

MQ 0,6 Splice Connector

Enabler for automation.

- ⊕ Approved for automated blockloading production
- ⊕ Available as end-splice option 4-way, 6-way and 8-way
- ⊕ as well as parallel splice with 2+2-way option
- ⊕ Complete system approach-connector and terminal
- ⊕ Replaces manual ultrasonic splice operation, no need of manual taping operation
- ⊕ Each splice is 100 % process monitoring capable

**APPLICATIONS**

- Replacement of traditional splice welding process
- Enables requirements for autonomous driving (DIN 26262)

FEATURES

Current Carrying Capacity

8 A continuous
80 °C / 0.75 mm



Pitch
2.54 mm



Cable Cross-Section

0.12 mm² - 0.75 mm²



Designed acc.
DIN TS 72036



Validation acc.
LV-214
Meets req. of (upcoming)
DIN/TS 70214



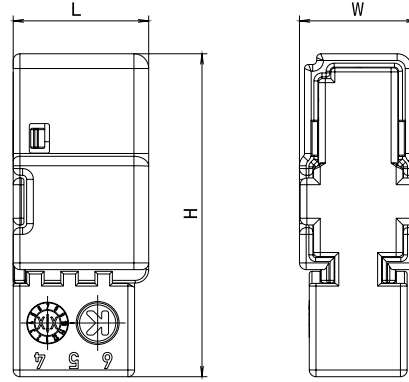
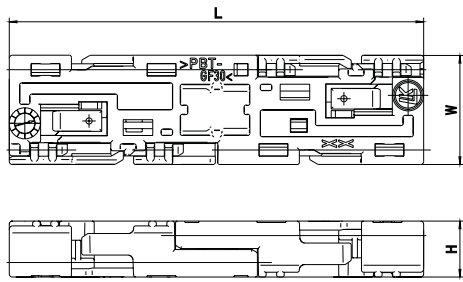
Temperature
-40 °C ~ 105 °C

Experience how we connect the global automotive industry with high performance connector systems.

www.kostal-kontakt-systeme.com



DIMENSIONS



TECHNICAL DATA

Code / index	No. cavities	Splice Connector	TPA	Dimensions L x H x W (mm)
Code A	2	10356473	na	11 x 40 x 5
Code A	4	10508265	10507926	7.55 x 24.05 x 8.75
Code A	6	10508266	10507928	10.09 x 24.05 x 8.75
Code A	8	10532857	10534488	12.03 x 24.05 x 8.75



COMPATIBLE WITH



Terminal MQ 0,6



VIEW OUR
PRODUCT CATALOGUE



CONTACT US:
kks_portfolio@kostal.com