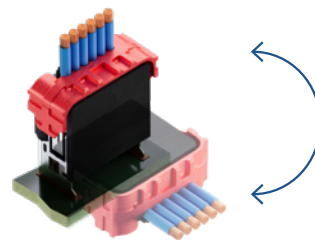
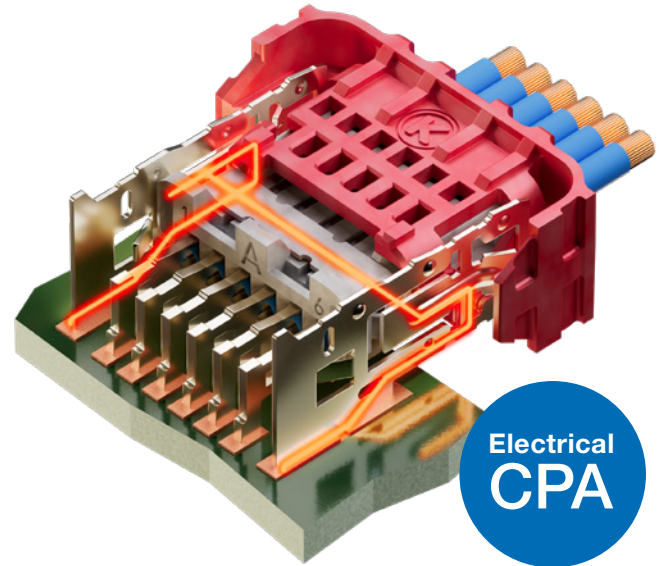


KS 0.4

Small. Safe. Monitored.

- ⊕ Electrical CPA without loss of a signal pin
- ⊕ Continuous monitoring while in locked position
- ⊕ High contact robustness
- ⊕ Tab Housing fits same interface for 90° and 180° header variants
- ⊕ Approved for automated production (blockloading)



APPLICATIONS

- Connector compatible with Single Wires, Ribbon Cables, FPC and FFC
- Lighting Sensors, Camera Systems, etc.

FEATURES



Current Carrying Capacity
2 A continuous
@ 80 °C / 0.22 mm²



Pitch
1.27 mm



Temperature
max. 130 °C (Sn) Terminal
max. 150 °C Housing



Designed acc.
DIN TS 72036



Cable Cross-Section
0.08-0.22 mm²



Validation acc. to
LV 214
USCAR
ES 91500-00

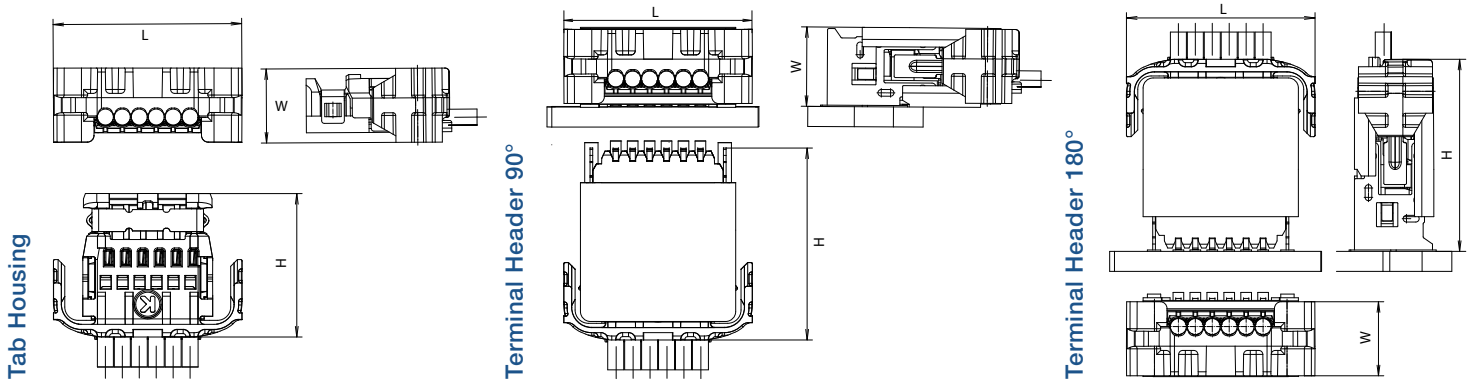
we **connect**

Experience how we connect the global automotive industry with high performance connector systems.

www.kostal-kontakt-systeme.com



DIMENSIONS



TECHNICAL DATA

	Tab Housing	Terminal Header 90°	Terminal Header 180°		
Cavities	PN Code A [Sn]	PN Code A [Sn]	PN Code A [Sn]	Dimensions L x H x W (mm)	Other Codings
2	*	*	*	8.92 x 10.8 x 5.6	B
4	10516569	10518580	10518581	11.46 x 10.8 x 5.6	B
6	10516570	10518578	10518579	14.00 x 10.8 x 5.6	B-C-D
8	10516571	10518582	10518583	16.54 x 10.8 x 5.6	B-C-D
10	10523811	10523823	10523824	19.08 x 10.8 x 5.6	B-C-D
12	10523813	10523829	10523830	21.62 x 10.8 x 5.6	B-C-D
14	10516572	10518584	10518585	24.16 x 10.8 x 5.6	B-C-D

*Ready for tooling



COMPATIBLE WITH



KT 0.4 Terminals



VIEW OUR
PRODUCT CATALOGUE



CONTACT US:
kks_portfolio@kostal.com