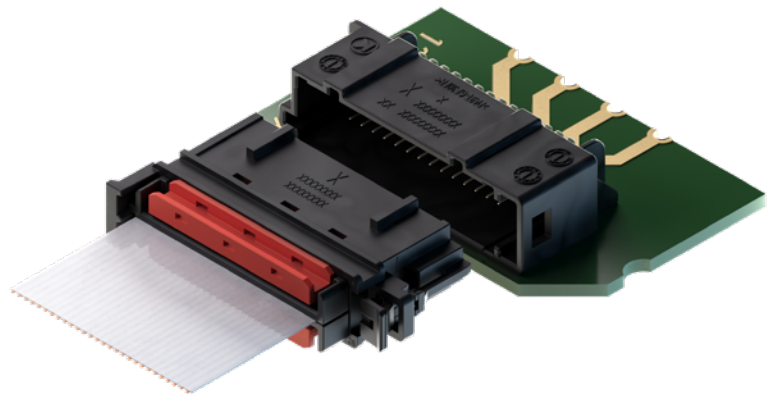


MK 0,5 Flex System

Designed for E-mobility
and flexible automation

- ⊕ Modular design, optimized for Flex Circuit (Al / Cu) processing and application performance
- ⊕ Design for high speed laser welding processes (FPC / FFC)
- ⊕ Side CPA reduces overall packaging height in module
- ⊕ Meets USCAR 2 / USCAR 25



APPLICATIONS

- Battery Module Systems
- Infotainment - Display Systems
- Integrated Seat and Door Modules
- Headliner Systems
- Lighting Systems

FEATURES



Current Carrying Capacity

3 A continuous
@ 80 °C



Pitch
2.2 mm



Temperature

Flex Foil
-40 °C to 105 °C



Validation acc. to
USCAR 2
USCAR 25



Cable

Flex Foil
0.8 x 0.125 mm

we **C**onnect

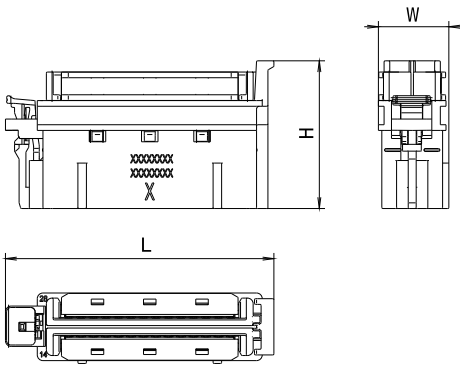
Experience how we connect the global automotive industry with high performance connector systems.

www.kostal-kontakt-systeme.com

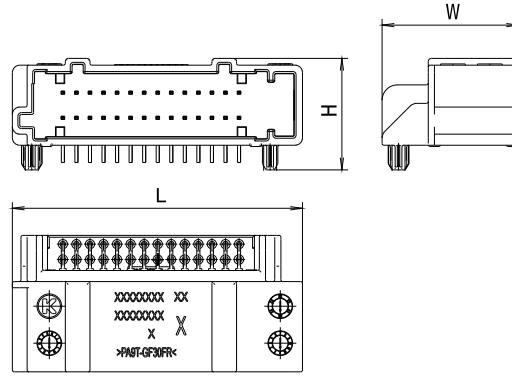


DIMENSIONS

Receptacle Housing



Tab Header



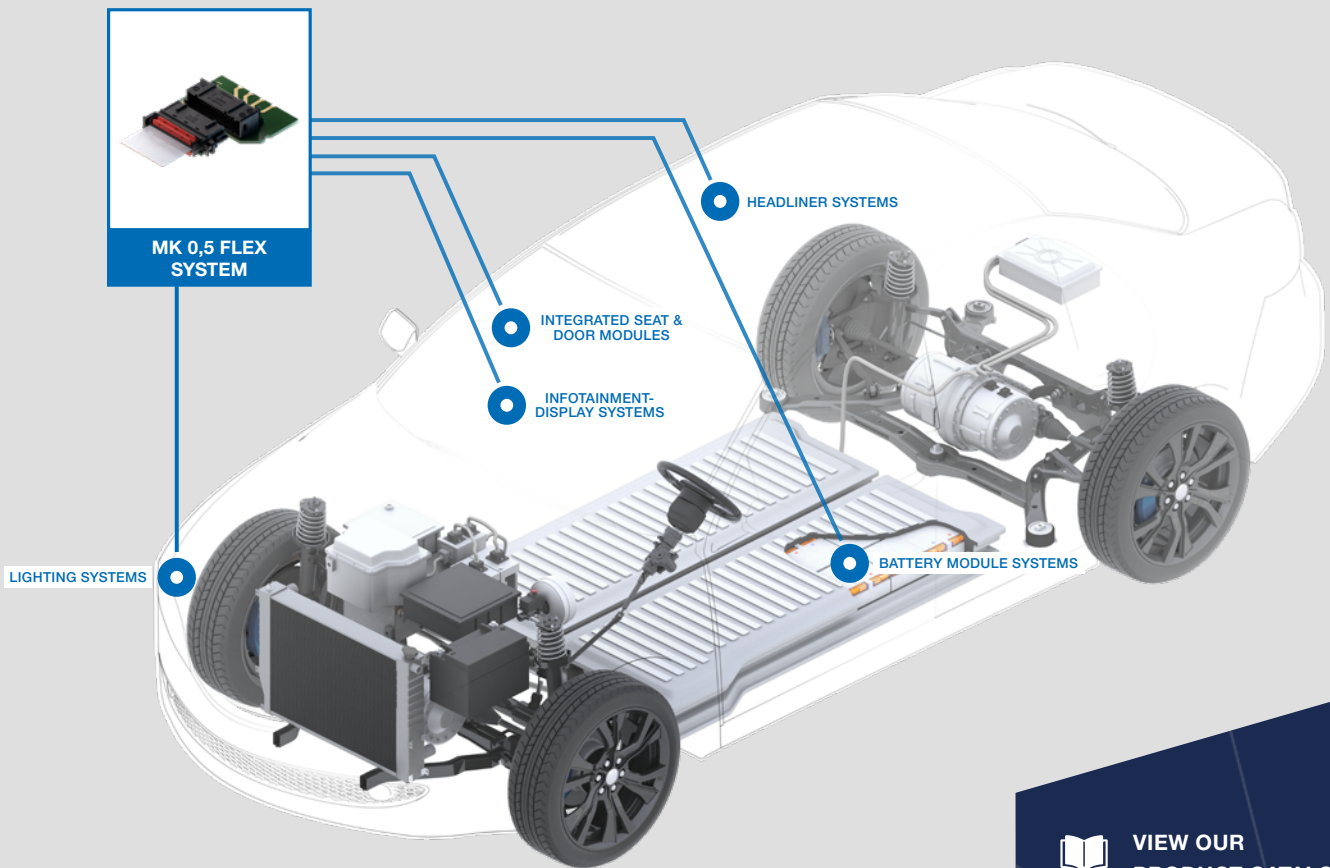
TECHNICAL DATA

Receptacle Housing

Cavities	PN Code A	Dimensions L x H x W (mm)
28	12158750	47.25 x 26 x 12.4

Tab Header

PN Code A	Dimensions L x H x W (mm)	Other Codings
10544035	47.1 x 18.1 x 22.15	B



COMPATIBLE WITH



Terminal MK 0,5



VIEW OUR PRODUCT CATALOGUE



CONTACT US:
kks_portfolio@kostal.com