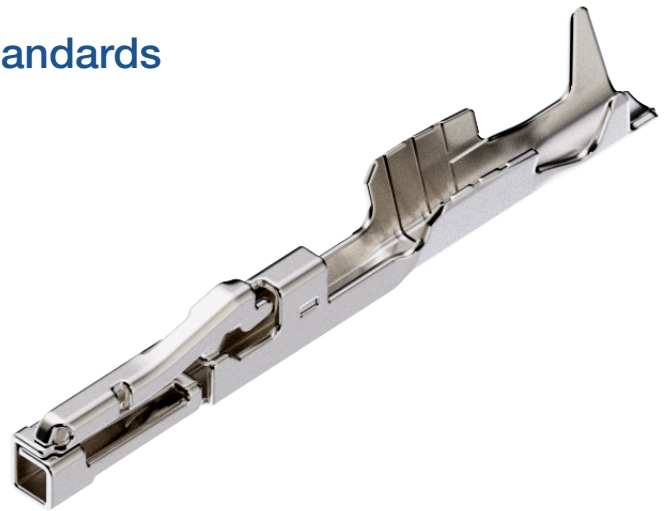


# TERMINAL MK 0,5

Small and robust automotive standard.

- ⊕ Cavity compatible with industry standards
- ⊕ One-piece terminal with a robust primary locking lance
- ⊕ Ultrasonic welding (USW) splicing capability



## APPLICATIONS

- Engine control units
- Airbag control units
- Head and rear lamps
- Blackbox applications
- ADAS (camera systems, LIDAR sensors, radar sensors)
- Battery monitoring systems
- Zone controllers

## FEATURES



**Current Carrying Capacity**  
3 A at 85 °C



**Active Contact Zones**  
2



**Operating Temperature**  
Max. 170 °C



**Mating Force**  
max. 3.0 N



**Wire Size Range**  
0.12 - 0.35 mm<sup>2</sup>



**No. of Cycles (mating / unmating)**  
50 (Ag)



**Mating Terminal**  
0.5 x 0.4 mm



**Material / Surface**  
Cu-alloy / Sn, Ag, Au

Experience how we connect the global automotive industry with high performance connector systems.

[www.kostal-kontakt-systeme.com](http://www.kostal-kontakt-systeme.com)



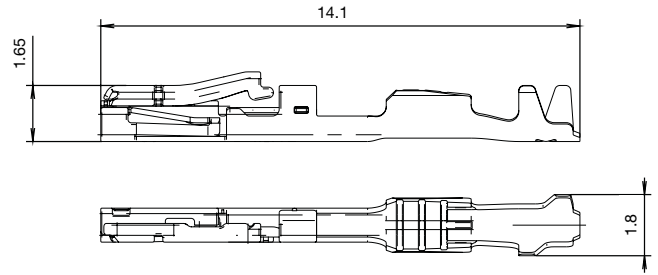
## VALIDATION

- Released at **major OEM's**
- Robust KOSTAL System in **serial production**
- Accepted at all major harness makers as **matching to TS 72036**
- Meets req. of **DIN/TS 70214 (LV spec.), USCAR-2 and USCAR-21**

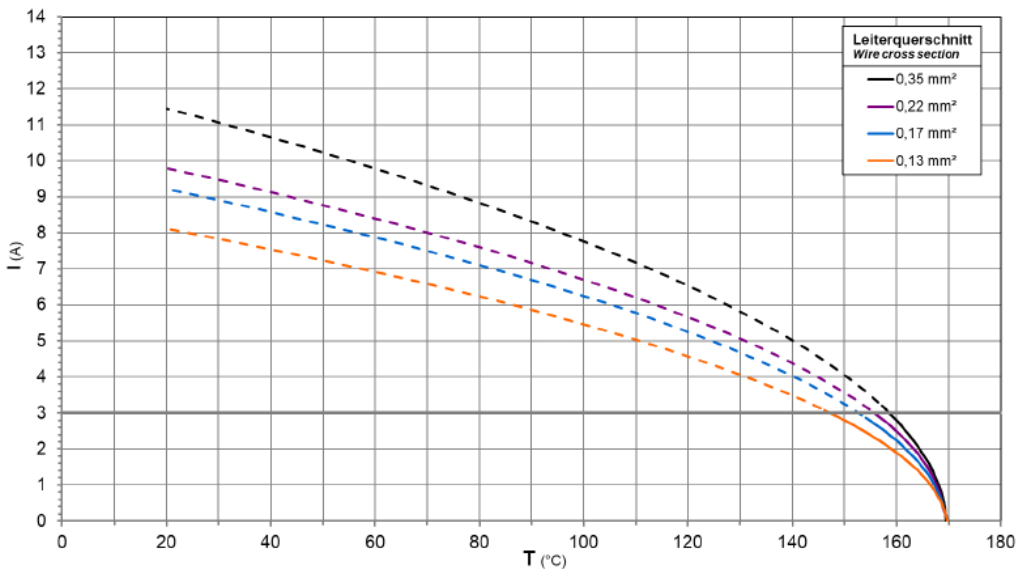


## DIMENSIONS

MK 0,5 Receptacle Terminal



## TECHNICAL DATA



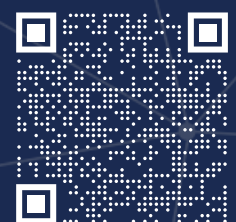
## COMPATIBLE WITH



Tab MK 0,5



VIEW OUR  
PRODUCT CATALOGUE



CONTACT US:  
kks\_portfolio@kostal.com