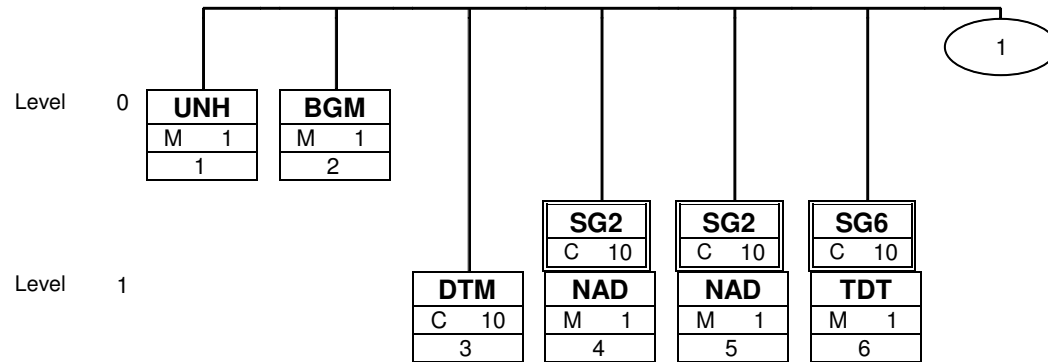


## Delivery note inbound

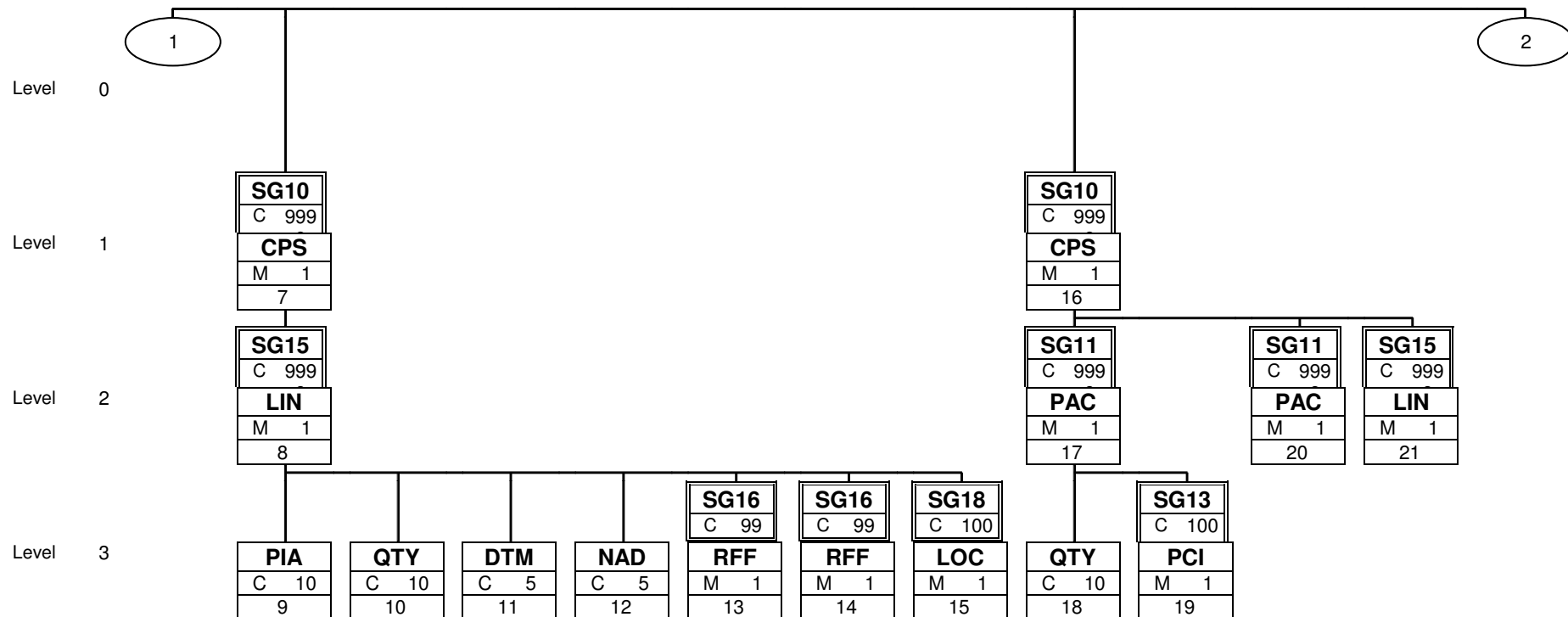
### DESADV



This is a branching diagram. Every variant of a segment or segment group described in the MIG appears exactly on times. The letters M and R characterise a 'mandatory' application status, whereas O means optional. The letter D is used for 'dependent' and the dependency will be described in comments. The number on the right-hand side explains the maximum occurrence of this segment or segment group. The undermost number is the consecutive number of the segment within the guide.

## Delivery note inbound

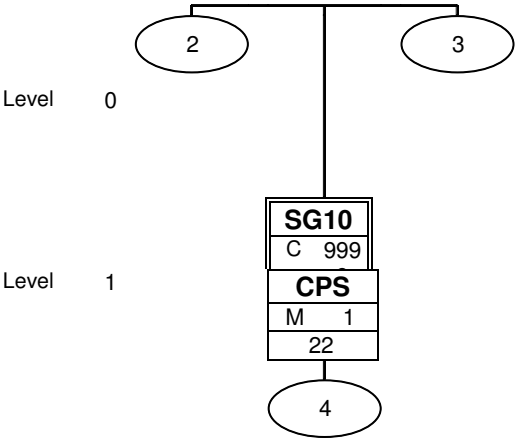
### DESADV



This is a branching diagram. Every variant of a segment or segment group described in the MIG appears exactly on times. The letters M and R characterise a 'mandatory' application status, whereas O means optional. The letter D is used for 'dependent' and the dependency will be described in comments. The number on the right-hand side explains the maximum occurrence of this segment or segment group. The undermost number is the consecutive number of the segment within the guide.

## Delivery note inbound

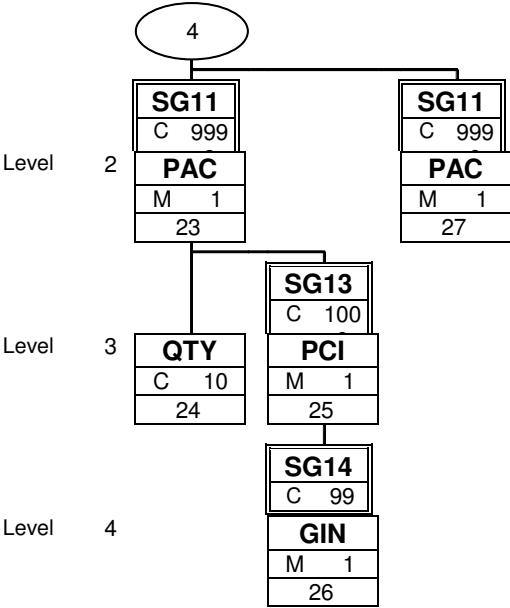
### DESADV



This is a branching diagram. Every variant of a segment or segment group described in the MIG appears exactly on times. The letters M and R characterise a 'mandatory' application status, whereas O means optional. The letter D is used for 'dependent' and the dependency will be described in comments. The number on the right-hand side explains the maximum occurrence of this segment or segment group. The undermost number is the consecutive number of the segment within the guide.

## Delivery note inbound

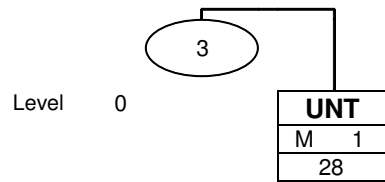
### DESADV



This is a branching diagram. Every variant of a segment or segment group described in the MIG appears exactly on times. The letters M and R characterise a 'mandatory' application status, whereas O means optional. The letter D is used for 'dependent' and the dependency will be described in comments. The number on the right-hand side explains the maximum occurrence of this segment or segment group. The undermost number is the consecutive number of the segment within the guide.

## Delivery note inbound

### DESADV



This is a branching diagram. Every variant of a segment or segment group described in the MIG appears exactly on times. The letters M and R characterise a 'mandatory' application status, whereas O means optional. The letter D is used for 'dependent' and the dependency will be described in comments. The number on the right-hand side explains the maximum occurrence of this segment or segment group. The undermost number is the consecutive number of the segment within the guide.

## Delivery note inbound

### DESADV

Segment: **UNH**      Seq. No.: 1      Level: 0      MESSAGE HEADER  
 Status: M      Max. Occ.: 1

Name: MESSAGE HEADER

Description of segment:

EDIFACT			Application		
Tag	Name	St Format	St	Example	Use / Comments
0062	Message reference number	M an..14	M	+1	
S009	MESSAGE IDENTIFIER	M	M		
0065	Message type identifier	M an..6	M	+DESADV	
0052	Message type version number	M an..3	M	:D	
0054	Message type release number	M an..3	M	:97A	
0051	Controlling agency	M an..2	M	:UN'	
0057	Association assigned code	C an..6	N		
0068	Common access reference	C an..35	N		
S010	STATUS OF THE TRANSFER	C	N		
0070	Sequence message transfer number	M n..2	N		
0073	First/last sequence message transfer indication	C a1	N		

Comment:

Example:

UNH+1+DESADV:D:97A:UN'

## Delivery note inbound

### DESADV

Segment:

**BGM**

Seq. No.: 2  
Status: M

Level: 0  
Max. Occ.: 1

**BEGINNING OF MESSAGE**

Name: **BEGINNING OF MESSAGE**

Description of segment:

EDIFACT			Application		
Tag	Name	St Format	St	Example	Use / Comments
C002	DOCUMENT/MESSAGE NAME	C	C		
1001	Document/message name, coded	C an..3	C	+351	
1131	Code list qualifier	C an..3	N		
3055	Code list responsible agency, coded	C an..3	N		
1000	Document/message name	C an..35	N		
C106	DOCUMENT/MESSAGE IDENTIFICATION	C	C		
1004	Document/message number	C an..35	C	+1234	ID of Shipment
1056	Version	C an..9	N		
1060	Revision number	C an..6	N		
1225	Message function, coded	C an..3	C	+9'	
4343	Response type, coded	C an..3	N		

Comment:

Example:

BGM+351+1234+9'

## Delivery note inbound

### DESADV

Segment: **DTM**      Seq. No.: 3      Level: 1      DATE/TIME/PERIOD  
 Status: C      Max. Occ.: 10

Name: DATE/TIME/PERIOD

Description of segment:

EDIFACT			Application		
Tag	Name	St Format	St	Example	Use / Comments
C507	DATE/TIME/PERIOD	M	M		Date of Shipment
2005	Date/time/period qualifier	M an..3	M	+137	
2380	Date/time/period	C an..35	C	:20030702	
2379	Date/time/period format qualifier	C an..3	C	:102'	

Comment:

Example:

DTM+137:20030702:102'



## Delivery note inbound

### DESADV

**Group:** **SG2** Status: C Max. Occ.: 10 NAD-LOC-SG3-SG4

**Segment:** **NAD** Seq. No.: 4 Level: 1 **NAME AND ADDRESS**  
 Status: M Max. Occ.: 1

**Name:** **NAME AND ADDRESS**

**Description of segment:**

EDIFACT			Application		
Tag	Name	St Format	St	Example	Use / Comments
3035	Party qualifier	M an..3	M	+BY	
C082	PARTY IDENTIFICATION DETAILS	C	C		
3039	Party id. identification	M an..35	M	+12345	Customer ID
1131	Code list qualifier	C an..3	N	:	
3055	Code list responsible agency, coded	C an..3	C	:91'	
C058	NAME AND ADDRESS	C	N		
3124	Name and address line	M an..35	N		
3124	Name and address line	C an..35	N		
3124	Name and address line	C an..35	N		
3124	Name and address line	C an..35	N		
3124	Name and address line	C an..35	N		
C080	PARTY NAME	C	N		
3036	Party name	M an..35	N		
3036	Party name	C an..35	N		
3036	Party name	C an..35	N		
3036	Party name	C an..35	N		
3036	Party name	C an..35	N		
3045	Party name format, coded	C an..3	N		
C059	STREET	C	N		
3042	Street and number/p.o. box	M an..35	N		
3042	Street and number/p.o. box	C an..35	N		
3042	Street and number/p.o. box	C an..35	N		
3042	Street and number/p.o. box	C an..35	N		
3164	City name	C an..35	N		
3229	Country sub-entity identification	C an..9	N		
3251	Postcode identification	C an..9	N		
3207	Country, coded	C an..3	N		

**Comment:**

**Example:**

NAD+BY+12345::91'

## Delivery note inbound

### DESADV

**Group:** SG2      Status: C      Max. Occ.: 10      NAD-LOC-SG3-SG4

**Segment:** NAD      Seq. No.: 5      Level: 1      **NAME AND ADDRESS**  
 Status: M      Max. Occ.: 1

**Name:** NAME AND ADDRESS

**Description of segment:**

EDIFACT			Application		
Tag	Name	St Format	St	Example	Use / Comments
3035	Party qualifier	M an..3	M	+SE	
C082	PARTY IDENTIFICATION DETAILS	C	C		
3039	Party id. identification	M an..35	M	+ABCDE	Supplier ID
1131	Code list qualifier	C an..3	N	:	
3055	Code list responsible agency, coded	C an..3	C	:92'	
C058	NAME AND ADDRESS	C	N		
3124	Name and address line	M an..35	N		
3124	Name and address line	C an..35	N		
3124	Name and address line	C an..35	N		
3124	Name and address line	C an..35	N		
3124	Name and address line	C an..35	N		
C080	PARTY NAME	C	N		
3036	Party name	M an..35	N		
3036	Party name	C an..35	N		
3036	Party name	C an..35	N		
3036	Party name	C an..35	N		
3036	Party name	C an..35	N		
3045	Party name format, coded	C an..3	N		
C059	STREET	C	N		
3042	Street and number/p.o. box	M an..35	N		
3042	Street and number/p.o. box	C an..35	N		
3042	Street and number/p.o. box	C an..35	N		
3042	Street and number/p.o. box	C an..35	N		
3164	City name	C an..35	N		
3229	Country sub-entity identification	C an..9	N		
3251	Postcode identification	C an..9	N		
3207	Country, coded	C an..3	N		

**Comment:**

**Example:**

NAD+SE+ABCDE::92'

## Delivery note inbound

### DESADV

Group: **SG6** Status: C Max. Occ.: 10 TDT-PCD-SG7

Segment: **TDT** Seq. No.: 6 Level: 1 **DETAILS OF TRANSPORT**  
 Status: M Max. Occ.: 1

Name: **DETAILS OF TRANSPORT**

#### Description of segment:

EDIFACT			Application			
Tag	Name	St Format	St	Example	Use / Comments	
8051	Transport stage qualifier	M an..3	M	+25	ID of Shipment	
8028	Conveyance reference number	C an..17	C	+1234		
C220	MODE OF TRANSPORT	C	C			
8067	Mode of transport, coded	C an..3	C	+3		
8066	Mode of transport	C an..17	C	:Road		
C228	TRANSPORT MEANS	C	N			
8179	Type of means of transport identification	C an..8	N	+		
8178	Type of means of transport	C an..17	N			
C040	CARRIER	C	C			ID of Carrier at KOSTAL
3127	Carrier identification	C an..17	C	+CarrierCode		
1131	Code list qualifier	C an..3	N	:		
3055	Code list responsible agency, coded	C an..3	C	:92		
3128	Carrier name	C an..35	C	:CarrierName'		
8101	Transit direction, coded	C an..3	N			
C401	EXCESS TRANSPORTATION INFORMATION	C	N			
8457	Excess transportation reason, coded	M an..3	N			
8459	Excess transportation responsibility, coded	M an..3	N			
7130	Customer authorization number	C an..17	N			
C222	TRANSPORT IDENTIFICATION	C	N			
8213	Id. of means of transport identification	C an..9	N			
1131	Code list qualifier	C an..3	N			
3055	Code list responsible agency, coded	C an..3	N			
8212	Id. of the means of transport	C an..35	N			
8453	Nationality of means of transport, coded	C an..3	N			
8281	Transport ownership, coded	C an..3	N			

Comment:

#### Example:

TDT+25+1234+3:Road++CarrierCode::92:CarrierName'

## Delivery note inbound

### DESADV

**Group:** **SG10** Status: C Max. Occ.: 9999 CPS-FTX-SG11-SG15

**Segment:** **CPS** Seq. No.: 7 Level: 1 **CONSIGNMENT PACKING SEQUENCE**  
 Status: M Max. Occ.: 1

**Name:** CONSIGNMENT PACKING SEQUENCE

**Description of segment:**

EDIFACT			Application		
Tag	Name	St Format	St	Example	Use / Comments
7164	Hierarchical id. number	M an..12	M	+1	Information of delivery
7166	Hierarchical parent id.	C an..12	N	+	
7075	Packaging level, coded	C an..3	C	+4'	

**Comment:**

**Example:**  
 CPS+1++4'

## Delivery note inbound

### DESADV

**Group:** **SG10** Status: C Max. Occ.: 9999 CPS-FTX-SG11-SG15  
**Group:** **SG15** Status: C Max. Occ.: 9999 LIN-PIA-IMD-MEA-QTY-ALI-GIN-GIR-DLM-DTM-NAD-TDT-HAN-FTX-MOA-SG16-SG17-SG18-SG19-SG20-SG23  
**Segment:** **LIN** Seq. No.: 8 Level: 2 **LINE ITEM**  
 Status: M Max. Occ.: 1

**Name:** LINE ITEM

**Description of segment:**

EDIFACT			Application		
Tag	Name	St Format	St	Example	Use / Comments
1082	Line item number	C an..6	C	+1	KOSTAL Material Number
1229	Action request/notification, coded	C an..3	N	+	
C212	ITEM NUMBER IDENTIFICATION	C	C		
7140	Item number	C an..35	C	+66550000 011311-01	
7143	Item number type, coded	C an..3	C	:BP	
1131	Code list qualifier	C an..3	N	:	
3055	Code list responsible agency, coded	C an..3	C	:92'	
C829	SUB-LINE INFORMATION	C	C		
5495	Sub-line indicator, coded	C an..3	C		
1082	Line item number	C an..6	C		
1222	Configuration level	C n..2	N		
7083	Configuration, coded	C an..3	N		

**Comment:**

**Example:**

LIN+1++66550000011311-01:BP::92'

## Delivery note inbound

### DESADV

<b>Group:</b>	<b>SG10</b>	Status: C	Max. Occ.: 9999	CPS-FTX-SG11-SG15
<b>Group:</b>	<b>SG15</b>	Status: C	Max. Occ.: 9999	LIN-PIA-IMD-MEA-QTY-ALI-GIN-GIR-DLM-DTM-NAD-TDT-HAN-FTX-MOA-SG16-SG17-SG18-SG19-SG20-SG23
<b>Segment:</b>	<b>PIA</b>	Seq. No.: 9 Status: C	Level: 3 Max. Occ.: 10	<b>ADDITIONAL PRODUCT ID</b>

**Name:** ADDITIONAL PRODUCT ID

**Description of segment:**

EDIFACT			Application		
Tag	Name	St Format	St	Example	Use / Comments
4347	Product id. function qualifier	M an..3	M	+1	
C212	ITEM NUMBER IDENTIFICATION	M	M		
7140	Item number	C an..35	C	+123BATC H	Vendor Batch
7143	Item number type, coded	C an..3	C	:EC'	Engineering change level
1131	Code list qualifier	C an..3	N		
3055	Code list responsible agency, coded	C an..3	N		
C212	ITEM NUMBER IDENTIFICATION	C	N		
7140	Item number	C an..35	N		
7143	Item number type, coded	C an..3	N		
1131	Code list qualifier	C an..3	N		
3055	Code list responsible agency, coded	C an..3	N		
C212	ITEM NUMBER IDENTIFICATION	C	N		
7140	Item number	C an..35	N		
7143	Item number type, coded	C an..3	N		
1131	Code list qualifier	C an..3	N		
3055	Code list responsible agency, coded	C an..3	N		
C212	ITEM NUMBER IDENTIFICATION	C	N		
7140	Item number	C an..35	N		
7143	Item number type, coded	C an..3	N		
1131	Code list qualifier	C an..3	N		
3055	Code list responsible agency, coded	C an..3	N		
C212	ITEM NUMBER IDENTIFICATION	C	N		
7140	Item number	C an..35	N		
7143	Item number type, coded	C an..3	N		
1131	Code list qualifier	C an..3	N		
3055	Code list responsible agency, coded	C an..3	N		

**Comment:**

**Example:**  
PIA+1+123BATCH:EC'

## Delivery note inbound

### DESADV

**Group:** **SG10** Status: C Max. Occ.: 9999 CPS-FTX-SG11-SG15  
**Group:** **SG15** Status: C Max. Occ.: 9999 LIN-PIA-IMD-MEA-QTY-ALI-GIN-GIR-DLM-DTM-NAD-TDT-HAN-FTX-MOA-SG16-SG17-SG18-SG19-SG20-SG23  
**Segment:** **QTY** Seq. No.: 10 Level: 3 **QUANTITY**  
 Status: C Max. Occ.: 10

**Name:** QUANTITY

#### Description of segment:

EDIFACT			Application		
Tag	Name	St Format	St	Example	Use / Comments
C186	QUANTITY DETAILS	M	M		Quantity to deliver
6063	Quantity qualifier	M an..3	M	+12	
6060	Quantity	M n..15	M	:1000	
6411	Measure unit qualifier	C an..3	C	:PCE'	

**Comment:**

#### Example:

QTY+12:1000:PCE'

## Delivery note inbound

### DESADV

**Group:** **SG10** Status: C Max. Occ.: 9999 CPS-FTX-SG11-SG15  
**Group:** **SG15** Status: C Max. Occ.: 9999 LIN-PIA-IMD-MEA-QTY-ALI-GIN-GIR-DLM-DTM-NAD-TDT-HAN-FTX-MOA-SG16-SG17-SG18-SG19-SG20-SG23  
**Segment:** **DTM** Seq. No.: 11 Level: 3 **DATE/TIME/PERIOD**  
 Status: C Max. Occ.: 5

**Name:** DATE/TIME/PERIOD

#### Description of segment:

EDIFACT			Application		
Tag	Name	St Format	St	Example	Use / Comments
C507	DATE/TIME/PERIOD	M	M		Delivery Date
2005	Date/time/period qualifier	M an..3	M	+11	
2380	Date/time/period	C an..35	C	:20030705	
2379	Date/time/period format qualifier	C an..3	C	:102'	

**Comment:**

#### Example:

DTM+11:20030705:102'



## Delivery note inbound

### DESADV

<b>Group:</b>	<b>SG10</b>	Status: C	Max. Occ.: 9999	CPS-FTX-SG11-SG15
<b>Group:</b>	<b>SG15</b>	Status: C	Max. Occ.: 9999	LIN-PIA-IMD-MEA-QTY-ALI-GIN-GIR-DLM-DTM-NAD-TDT-HAN-FTX-MOA-SG16-SG17-SG18-SG19-SG20-SG23
<b>Segment:</b>	<b>NAD</b>	Seq. No.: 12 Status: C	Level: 3 Max. Occ.: 5	<b>NAME AND ADDRESS</b>

**Name:** NAME AND ADDRESS

**Description of segment:**

EDIFACT			Application		
Tag	Name	St Format	St	Example	Use / Comments
3035	Party qualifier	M an..3	M	+ST	
C082	PARTY IDENTIFICATION DETAILS	C	C		
3039	Party id. identification	M an..35	M	+001	Plant Code KOSTAL
1131	Code list qualifier	C an..3	N	:	
3055	Code list responsible agency, coded	C an..3	C	:92'	
C058	NAME AND ADDRESS	C	N		
3124	Name and address line	M an..35	N		
3124	Name and address line	C an..35	N		
3124	Name and address line	C an..35	N		
3124	Name and address line	C an..35	N		
3124	Name and address line	C an..35	N		
C080	PARTY NAME	C	N		
3036	Party name	M an..35	N		
3036	Party name	C an..35	N		
3036	Party name	C an..35	N		
3036	Party name	C an..35	N		
3036	Party name	C an..35	N		
3045	Party name format, coded	C an..3	N		
C059	STREET	C	N		
3042	Street and number/p.o. box	M an..35	N		
3042	Street and number/p.o. box	C an..35	N		
3042	Street and number/p.o. box	C an..35	N		
3042	Street and number/p.o. box	C an..35	N		
3164	City name	C an..35	N		
3229	Country sub-entity identification	C an..9	N		
3251	Postcode identification	C an..9	N		
3207	Country, coded	C an..3	N		

**Comment:**

**Example:**

NAD+ST+001::92'

## Delivery note inbound

### DESADV

<b>Group:</b>	<b>SG10</b>	Status: C	Max. Occ.: 9999	CPS-FTX-SG11-SG15
<b>Group:</b>	<b>SG15</b>	Status: C	Max. Occ.: 9999	LIN-PIA-IMD-MEA-QTY-ALI-GIN-GIR-DLM-DTM-NAD-TDT-HAN-FTX-MOA-SG16-SG17-SG18-SG19-SG20-SG23
<b>Group:</b>	<b>SG16</b>	Status: C	Max. Occ.: 99	RFF-NAD-CTA-DTM
<b>Segment:</b>	<b>RFF</b>	Seq. No.: 13 Status: M	Level: 3 Max. Occ.: 1	<b>REFERENCE</b>

**Name:** REFERENCE

**Description of segment:**

EDIFACT			Application		
Tag	Name	St Format	St	Example	Use / Comments
C506	REFERENCE	M	M		
1153	Reference qualifier	M an..3	M	+CT	
1154	Reference number	C an..35	C	: 551000000 110'	KOSTAL PO number (incl. Item number)
1156	Line number	C an..6	N		
4000	Reference version number	C an..35	N		

**Comment:**

**Example:**

RFF+CT:551000000110'

## Delivery note inbound

### DESADV

<b>Group:</b>	<b>SG10</b>	Status: C	Max. Occ.: 9999	CPS-FTX-SG11-SG15
<b>Group:</b>	<b>SG15</b>	Status: C	Max. Occ.: 9999	LIN-PIA-IMD-MEA-QTY-ALI-GIN-GIR-DLM-DTM-NAD-TDT-HAN-FTX-MOA-SG16-SG17-SG18-SG19-SG20-SG23
<b>Group:</b>	<b>SG16</b>	Status: C	Max. Occ.: 99	RFF-NAD-CTA-DTM
<b>Segment:</b>	<b>RFF</b>	Seq. No.: 14 Status: M	Level: 3 Max. Occ.: 1	<b>REFERENCE</b>

**Name:** REFERENCE

**Description of segment:**

EDIFACT			Application		
Tag	Name	St Format	St	Example	Use / Comments
C506	REFERENCE	M	M		
1153	Reference qualifier	M an..3	M	+AAK	
1154	Reference number	C an..35	C	:12345678'	Delivery Note Number
1156	Line number	C an..6	N		
4000	Reference version number	C an..35	N		

**Comment:**

**Example:**

RFF+AAK:12345678'

## Delivery note inbound

### DESADV

<b>Group:</b>	<b>SG10</b>	Status: C	Max. Occ.: 9999	CPS-FTX-SG11-SG15
<b>Group:</b>	<b>SG15</b>	Status: C	Max. Occ.: 9999	LIN-PIA-IMD-MEA-QTY-ALI-GIN-GIR-DLM-DTM-NAD-TDT-HAN-FTX-MOA-SG16-SG17-SG18-SG19-SG20-SG23
<b>Group:</b>	<b>SG18</b>	Status: C	Max. Occ.: 100	LOC-NAD-DTM-QTY
<b>Segment:</b>	<b>LOC</b>	Seq. No.: 15 Status: M	Level: 3 Max. Occ.: 1	<b>PLACE/LOCATION IDENTIFICATION</b>

**Name:** PLACE/LOCATION IDENTIFICATION

**Description of segment:**

EDIFACT			Application		
Tag	Name	St Format	St	Example	Use / Comments
3227	Place/location qualifier	M an..3	M	+11	
C517	LOCATION IDENTIFICATION	C	C		
3225	Place/location identification	C an..25	C	+00001	Unloading Point
1131	Code list qualifier	C an..3	N	:	
3055	Code list responsible agency, coded	C an..3	C	:92'	
3224	Place/location	C an..70	N		
C519	RELATED LOCATION ONE IDENTIFICATION	C	N		
3223	Related place/location one identification	C an..25	N		
1131	Code list qualifier	C an..3	N		
3055	Code list responsible agency, coded	C an..3	N		
3222	Related place/location one	C an..70	N		
C553	RELATED LOCATION TWO IDENTIFICATION	C	N		
3233	Related place/location two identification	C an..25	N		
1131	Code list qualifier	C an..3	N		
3055	Code list responsible agency, coded	C an..3	N		
3232	Related place/location two	C an..70	N		
5479	Relation, coded	C an..3	N		

**Comment:**

**Example:**

LOC+11+00001::92'

## Delivery note inbound

### DESADV

**Group:** **SG10** Status: C Max. Occ.: 9999 CPS-FTX-SG11-SG15

**Segment:** **CPS** Seq. No.: 16 Level: 1 **CONSIGNMENT PACKING SEQUENCE**  
 Status: M Max. Occ.: 1

**Name:** **CONSIGNMENT PACKING SEQUENCE**

**Description of segment:**

EDIFACT			Application		
Tag	Name	St Format	St	Example	Use / Comments
7164	Hierarchical id. number	M an..12	M	+2	Element of Packing Structure (Inner Packing)
7166	Hierarchical parent id.	C an..12	N	+	
7075	Packaging level, coded	C an..3	C	+1'	

**Comment:**

**Example:**  
 CPS+2++1'

## Delivery note inbound

### DESADV

**Group:** **SG10** Status: C Max. Occ.: 9999 CPS-FTX-SG11-SG15

**Group:** **SG11** Status: C Max. Occ.: 9999 PAC-MEA-QTY-SG12-SG13

**Segment:** **PAC** Seq. No.: 17 Level: 2 **PACKAGE**  
 Status: M Max. Occ.: 1

**Name:** **PACKAGE**

**Description of segment:**

EDIFACT			Application		
Tag	Name	St Format	St	Example	Use / Comments
7224	Number of packages	C n..8	C	+1	
C531	PACKAGING DETAILS	C	N		
7075	Packaging level, coded	C an..3	N	+	
7233	Packaging related information, coded	C an..3	N		
7073	Packaging terms and conditions, coded	C an..3	N		
C202	PACKAGE TYPE	C	C		
7065	Type of packages identification	C an..17	C	+PMatInnr	KOSTAL Material number of Inner Handling Unit
1131	Code list qualifier	C an..3	N	:	
3055	Code list responsible agency, coded	C an..3	C	:92'	
7064	Type of packages	C an..35	N		
C402	PACKAGE TYPE IDENTIFICATION	C	N		
7077	Item description type, coded	M an..3	N		
7064	Type of packages	M an..35	N		
7143	Item number type, coded	C an..3	N		
7064	Type of packages	C an..35	N		
7143	Item number type, coded	C an..3	N		
C532	RETURNABLE PACKAGE DETAILS	C	N		
8395	Returnable package freight payment responsibility, coded	C an..3	N		
8393	Returnable package load contents, coded	C an..3	N		

**Comment:**

**Example:**

PAC+1++PMatInnr::92'

## Delivery note inbound

### DESADV

**Group:** **SG10** Status: C Max. Occ.: 9999 CPS-FTX-SG11-SG15

**Group:** **SG11** Status: C Max. Occ.: 9999 PAC-MEA-QTY-SG12-SG13

**Segment:** **QTY** Seq. No.: 18 Level: 3 **QUANTITY**  
 Status: C Max. Occ.: 10

**Name:** QUANTITY

**Description of segment:**

EDIFACT			Application		
Tag	Name	St Format	St	Example	Use / Comments
C186	QUANTITY DETAILS	M	M		
6063	Quantity qualifier	M an..3	M	+52	
6060	Quantity	M n..15	M	:10	Quantity
6411	Measure unit qualifier	C an..3	C	:PCE'	

**Comment:**

**Example:**

QTY+52:10:PCE'

## Delivery note inbound

### DESADV

<b>Group:</b>	<b>SG10</b>	Status: C	Max. Occ.: 9999	CPS-FTX-SG11-SG15
<b>Group:</b>	<b>SG11</b>	Status: C	Max. Occ.: 9999	PAC-MEA-QTY-SG12-SG13
<b>Group:</b>	<b>SG13</b>	Status: C	Max. Occ.: 1000	PCI-RFF-DTM-GIR-SG14
<b>Segment:</b>	<b>PCI</b>	Seq. No.: 19 Status: M	Level: 3 Max. Occ.: 1	<b>PACKAGE IDENTIFICATION</b>

**Name:** PACKAGE IDENTIFICATION

**Description of segment:**

EDIFACT			Application		
Tag	Name	St Format	St	Example	Use / Comments
4233	Marking instructions, coded	C an..3	C	+17	ID of Inner Handling Unit
C210	MARKS & LABELS	C	C		
7102	Shipping marks	M an..35	M	+S0001	
7102	Shipping marks	C an..35	N		
7102	Shipping marks	C an..35	N		
7102	Shipping marks	C an..35	N		
7102	Shipping marks	C an..35	N		
7102	Shipping marks	C an..35	N		
7102	Shipping marks	C an..35	N		
7102	Shipping marks	C an..35	N		
7102	Shipping marks	C an..35	N		
7102	Shipping marks	C an..35	N		
7102	Shipping marks	C an..35	N		
7102	Shipping marks	C an..35	N		
8275	Container/package status, coded	C an..3	C	+1'	
C827	TYPE OF MARKING	C	N		
7511	Type of marking, coded	M an..3	N		
1131	Code list qualifier	C an..3	N		
3055	Code list responsible agency, coded	C an..3	N		

**Comment:**

**Example:**

PCI+17+S0001+1'



## Delivery note inbound

### DESADV

**Group:** **SG10** Status: C Max. Occ.: 9999 CPS-FTX-SG11-SG15

**Group:** **SG11** Status: C Max. Occ.: 9999 PAC-MEA-QTY-SG12-SG13

**Segment:** **PAC** Seq. No.: 20 Level: 2 **PACKAGE**  
 Status: M Max. Occ.: 1

**Name:** **PACKAGE**

**Description of segment:**

EDIFACT			Application		
Tag	Name	St Format	St	Example	Use / Comments
7224	Number of packages	C n..8	C	+1	
C531	PACKAGING DETAILS	C	C		
7075	Packaging level, coded	C an..3	C	+2	
7233	Packaging related information, coded	C an..3	N		
7073	Packaging terms and conditions, coded	C an..3	N		
C202	PACKAGE TYPE	C	C		
7065	Type of packages identification	C an..17	C	+PHM01	KOSTAL Material number of additional packing
1131	Code list qualifier	C an..3	N	:	
3055	Code list responsible agency, coded	C an..3	C	:91'	
7064	Type of packages	C an..35	N		
C402	PACKAGE TYPE IDENTIFICATION	C	N		
7077	Item description type, coded	M an..3	N		
7064	Type of packages	M an..35	N		
7143	Item number type, coded	C an..3	N		
7064	Type of packages	C an..35	N		
7143	Item number type, coded	C an..3	N		
C532	RETURNABLE PACKAGE DETAILS	C	N		
8395	Returnable package freight payment responsibility, coded	C an..3	N		
8393	Returnable package load contents, coded	C an..3	N		

**Comment:**

**Example:**

PAC+1+2+PHM01::91'

## Delivery note inbound

### DESADV

**Group:** **SG10** Status: C Max. Occ.: 9999 CPS-FTX-SG11-SG15  
**Group:** **SG15** Status: C Max. Occ.: 9999 LIN-PIA-IMD-MEA-QTY-ALI-GIN-GIR-DLM-DTM-NAD-TDT-HAN-FTX-MOA-SG16-SG17-SG18-SG19-SG20-SG23  
**Segment:** **LIN** Seq. No.: 21 Level: 2 **LINE ITEM**  
 Status: M Max. Occ.: 1

**Name:** LINE ITEM

**Description of segment:**

EDIFACT			Application		
Tag	Name	St Format	St	Example	Use / Comments
1082	Line item number	C an..6	C	+1	Material that is packed in this Handling Unit
1229	Action request/notification, coded	C an..3	N	+	
C212	ITEM NUMBER IDENTIFICATION	C	C		
7140	Item number	C an..35	C	+66550000 011311-01	
7143	Item number type, coded	C an..3	C	:BP	
1131	Code list qualifier	C an..3	N	:	
3055	Code list responsible agency, coded	C an..3	C	:92'	
C829	SUB-LINE INFORMATION	C	N		
5495	Sub-line indicator, coded	C an..3	N		
1082	Line item number	C an..6	N		
1222	Configuration level	C n..2	N		
7083	Configuration, coded	C an..3	N		

**Comment:**

**Example:**

LIN+1++66550000011311-01:BP::92'

## Delivery note inbound

### DESADV

**Group:** **SG10** Status: C Max. Occ.: 9999 CPS-FTX-SG11-SG15

**Segment:** **CPS** Seq. No.: 22 Level: 1 **CONSIGNMENT PACKING SEQUENCE**  
 Status: M Max. Occ.: 1

**Name:** CONSIGNMENT PACKING SEQUENCE

**Description of segment:**

EDIFACT			Application		
Tag	Name	St Format	St	Example	Use / Comments
7164	Hierarchical id. number	M an..12	M	+3	Element of Packing Structure for Outer packing
7166	Hierarchical parent id.	C an..12	N	+	
7075	Packaging level, coded	C an..3	C	+3'	

**Comment:**

**Example:**  
 CPS+3++3'

## Delivery note inbound

### DESADV

Group: **SG10** Status: C Max. Occ.: 9999 CPS-FTX-SG11-SG15

Group: **SG11** Status: C Max. Occ.: 9999 PAC-MEA-QTY-SG12-SG13

Segment: **PAC** Seq. No.: 23 Level: 2 **PACKAGE**  
 Status: M Max. Occ.: 1

Name: **PACKAGE**

#### Description of segment:

EDIFACT			Application		
Tag	Name	St Format	St	Example	Use / Comments
7224	Number of packages	C n..8	C	+1	
C531	PACKAGING DETAILS	C	N		
7075	Packaging level, coded	C an..3	N	+	
7233	Packaging related information, coded	C an..3	N		
7073	Packaging terms and conditions, coded	C an..3	N		
C202	PACKAGE TYPE	C	C		
7065	Type of packages identification	C an..17	C	+PMatOuter	KOSTAL Material number of Outer Handling Unit
1131	Code list qualifier	C an..3	N	:	
3055	Code list responsible agency, coded	C an..3	C	:92'	
7064	Type of packages	C an..35	N		
C402	PACKAGE TYPE IDENTIFICATION	C	N		
7077	Item description type, coded	M an..3	N		
7064	Type of packages	M an..35	N		
7143	Item number type, coded	C an..3	N		
7064	Type of packages	C an..35	N		
7143	Item number type, coded	C an..3	N		
C532	RETURNABLE PACKAGE DETAILS	C	N		
8395	Returnable package freight payment responsibility, coded	C an..3	N		
8393	Returnable package load contents, coded	C an..3	N		

Comment:

#### Example:

PAC+1++PMatOuter::92'

## Delivery note inbound

### DESADV

**Group:** **SG10** Status: C Max. Occ.: 9999 CPS-FTX-SG11-SG15  
**Group:** **SG11** Status: C Max. Occ.: 9999 PAC-MEA-QTY-SG12-SG13  
**Segment:** **QTY** Seq. No.: 24 Level: 3 **QUANTITY**  
 Status: C Max. Occ.: 10

**Name:** QUANTITY

**Description of segment:**

EDIFACT			Application		
Tag	Name	St Format	St	Example	Use / Comments
C186	QUANTITY DETAILS	M	M		
6063	Quantity qualifier	M an..3	M	+1	
6060	Quantity	M n..15	M	:1	Quantity
6411	Measure unit qualifier	C an..3	C	:PCE'	

**Comment:**

**Example:**

QTY+1:1:PCE'

## Delivery note inbound

### DESADV

<b>Group:</b>	<b>SG10</b>	Status: C	Max. Occ.: 9999	CPS-FTX-SG11-SG15
<b>Group:</b>	<b>SG11</b>	Status: C	Max. Occ.: 9999	PAC-MEA-QTY-SG12-SG13
<b>Group:</b>	<b>SG13</b>	Status: C	Max. Occ.: 1000	PCI-RFF-DTM-GIR-SG14
<b>Segment:</b>	<b>PCI</b>	Seq. No.: 25 Status: M	Level: 3 Max. Occ.: 1	<b>PACKAGE IDENTIFICATION</b>

**Name:** PACKAGE IDENTIFICATION

**Description of segment:**

EDIFACT			Application		
Tag	Name	St Format	St	Example	Use / Comments
4233	Marking instructions, coded	C an..3	C	+17	ID of Outer Handling Unit
C210	MARKS & LABELS	C	C		
7102	Shipping marks	M an..35	M	+M0001	
7102	Shipping marks	C an..35	N		
7102	Shipping marks	C an..35	N		
7102	Shipping marks	C an..35	N		
7102	Shipping marks	C an..35	N		
7102	Shipping marks	C an..35	N		
7102	Shipping marks	C an..35	N		
7102	Shipping marks	C an..35	N		
7102	Shipping marks	C an..35	N		
7102	Shipping marks	C an..35	N		
7102	Shipping marks	C an..35	N		
7102	Shipping marks	C an..35	N		
8275	Container/package status, coded	C an..3	C	+1'	
C827	TYPE OF MARKING	C	N		
7511	Type of marking, coded	M an..3	N		
1131	Code list qualifier	C an..3	N		
3055	Code list responsible agency, coded	C an..3	N		

**Comment:**

**Example:**

PCI+17+M0001+1'

## Delivery note inbound

### DESADV

<b>Group:</b>	<b>SG10</b>	Status: C	Max. Occ.: 9999	CPS-FTX-SG11-SG15
<b>Group:</b>	<b>SG11</b>	Status: C	Max. Occ.: 9999	PAC-MEA-QTY-SG12-SG13
<b>Group:</b>	<b>SG13</b>	Status: C	Max. Occ.: 1000	PCI-RFF-DTM-GIR-SG14
<b>Group:</b>	<b>SG14</b>	Status: C	Max. Occ.: 99	GIN-DLM
<b>Segment:</b>	<b>GIN</b>	Seq. No.: 26 Status: M	Level: 4 Max. Occ.: 1	<b>GOODS IDENTITY NUMBER</b>

**Name:** GOODS IDENTITY NUMBER

#### Description of segment:

EDIFACT			Application		
Tag	Name	St Format	St	Example	Use / Comments
7405	Identity number qualifier	M an..3	M	+ML	
C208	IDENTITY NUMBER RANGE	M	M		
7402	Identity number	M an..35	M	+S0001'	ID of Handling Unit that is packed in this HU
7402	Identity number	C an..35	N		
C208	IDENTITY NUMBER RANGE	C	N		
7402	Identity number	M an..35	N		
7402	Identity number	C an..35	N		
C208	IDENTITY NUMBER RANGE	C	N		
7402	Identity number	M an..35	N		
7402	Identity number	C an..35	N		
C208	IDENTITY NUMBER RANGE	C	N		
7402	Identity number	M an..35	N		
7402	Identity number	C an..35	N		
C208	IDENTITY NUMBER RANGE	C	N		
7402	Identity number	M an..35	N		
7402	Identity number	C an..35	N		
C208	IDENTITY NUMBER RANGE	C	N		
7402	Identity number	M an..35	N		
7402	Identity number	C an..35	N		

**Comment:**

**Example:**

GIN+ML+S0001'

## Delivery note inbound

### DESADV

**Group:** **SG10** Status: C Max. Occ.: 9999 CPS-FTX-SG11-SG15

**Group:** **SG11** Status: C Max. Occ.: 9999 PAC-MEA-QTY-SG12-SG13

**Segment:** **PAC** Seq. No.: 27 Level: 2 **PACKAGE**  
 Status: M Max. Occ.: 1

**Name:** **PACKAGE**

**Description of segment:**

EDIFACT			Application		
Tag	Name	St Format	St	Example	Use / Comments
7224	Number of packages	C n..8	C	+1	
C531	PACKAGING DETAILS	C	C		
7075	Packaging level, coded	C an..3	C	+2	
7233	Packaging related information, coded	C an..3	N		
7073	Packaging terms and conditions, coded	C an..3	N		
C202	PACKAGE TYPE	C	C		
7065	Type of packages identification	C an..17	C	+PHM02	KOSTAL Material number of additional packing
1131	Code list qualifier	C an..3	N	:	
3055	Code list responsible agency, coded	C an..3	C	:92'	
7064	Type of packages	C an..35	N		
C402	PACKAGE TYPE IDENTIFICATION	C	N		
7077	Item description type, coded	M an..3	N		
7064	Type of packages	M an..35	N		
7143	Item number type, coded	C an..3	N		
7064	Type of packages	C an..35	N		
7143	Item number type, coded	C an..3	N		
C532	RETURNABLE PACKAGE DETAILS	C	N		
8395	Returnable package freight payment responsibility, coded	C an..3	N		
8393	Returnable package load contents, coded	C an..3	N		

**Comment:**

**Example:**

PAC+1+2+PHM02::92'



## Delivery note inbound

### DESADV

Segment:

**UNT**

Seq. No.: 28  
Status: M

Level: 0  
Max. Occ.: 1

**MESSAGE TRAILER**

Name: **MESSAGE TRAILER**

Description of segment:

EDIFACT			Application		
Tag	Name	St Format	St	Example	Use / Comments
0074	Number of segments in a message	M n..6	M	+28	
0062	Message reference number	M an..14	M	+1'	

Comment:

Example:

UNT+28+1'

## Delivery note inbound

### DESADV

#### Example message

No.	Tag	Example
01	<b>UNH</b>	UNH+1+DESADV:D:97A:UN'
02	<b>BGM</b>	BGM+351+1234+9'
03	<b>DTM</b>	DTM+137:20030702:102'
	<b>SG2</b>	
04	<b>NAD</b>	NAD+BY+12345::91'
	<b>SG2</b>	
05	<b>NAD</b>	NAD+SE+ABCDE::92'
	<b>SG6</b>	
06	<b>TDT</b>	TDT+25+1234+3:Road++CarrierCode::92:CarrierName'
	<b>SG10</b>	
07	<b>CPS</b>	CPS+1+++4'
	<b>SG15</b>	
08	<b>LIN</b>	LIN+1+++66550000011311-01:BP::92'
09	<b>PIA</b>	PIA+1+123BATCH:EC'
10	<b>QTY</b>	QTY+12:1000:PCE'
11	<b>DTM</b>	DTM+11:20030705:102'
12	<b>NAD</b>	NAD+ST+001::92'
	<b>SG16</b>	
13	<b>RFF</b>	RFF+CT:551000000110'
	<b>SG16</b>	
14	<b>RFF</b>	RFF+AAK:12345678'
	<b>SG18</b>	
15	<b>LOC</b>	LOC+11+00001::92'
	<b>SG10</b>	
16	<b>CPS</b>	CPS+2++1'
	<b>SG11</b>	
17	<b>PAC</b>	PAC+1++PMatInner::92'
18	<b>QTY</b>	QTY+52:10:PCE'
	<b>SG13</b>	
19	<b>PCI</b>	PCI+17+S0001+1'
	<b>SG11</b>	
20	<b>PAC</b>	PAC+1+2+PHM01::91'
	<b>SG15</b>	
21	<b>LIN</b>	LIN+1+++66550000011311-01:BP::92'
	<b>SG10</b>	
22	<b>CPS</b>	CPS+3++3'

**DESADV**

|— SG11

## DESADV

### Example message

No.	Tag	Example
23	<b>PAC</b>	PAC+1++PMatOuter::92'
24	<b>QTY</b>	QTY+1:1:PCE'
	<b>SG13</b>	
25	<b>PCI</b>	PCI+17+M0001+1'
	<b>SG14</b>	
26	<b>GIN</b>	GIN+ML+S0001'
	<b>SG11</b>	
27	<b>PAC</b>	PAC+1+2+PHM02::92'
28	<b>UNT</b>	UNT+28+1'

## Delivery note inbound

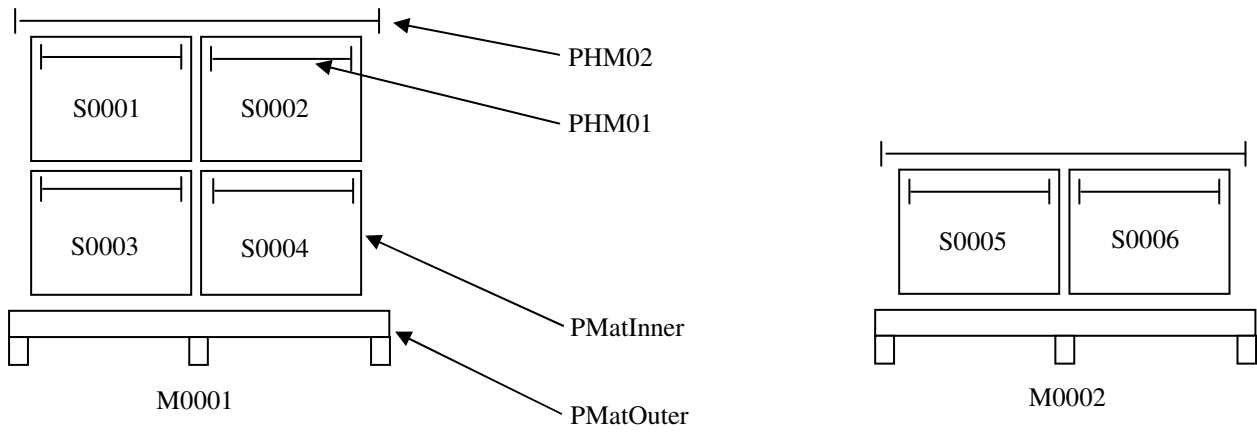
### DESADV

Extended Example:

1	UNH	UNH+1+DESADV:D:97A:UN'
2	BGM	BGM+351+1234+9'
3	DTM	DTM+137:20030702:102'
4	NAD	NAD+BY+12345::91'
5	NAD	NAD+SE+ABCDE::92'
6	TDT	TDT+25+1234+3:Road++CarrierCode::92:CarrierName'
7	CPS	CPS+1++4'
8	LIN	LIN+1+++66550000011311-01:BP::92'
9	PIA	PIA+1+123BATCH:EC'
10	QTY	QTY+12:1000:PCE'
11	DTM	DTM+11:20030705:102'
12	NAD	NAD+ST+001::92'
13	RFF	RFF+CT:551000000110'
14	RFF	RFF+AAK:12345678'
15	LOC	LOC+11+00001::92'
16	CPS	CPS+2++1'
17	PAC	PAC+1+++PMatInner::92'
18	QTY	QTY+52:10:PCE'
19	PCI	PCI+17+S0001+1'
20	PCI	PCI+17+S0002+1'
21	PCI	PCI+17+S0003+1'
22	PCI	PCI+17+S0004+1'
23	PCI	PCI+17+S0005+1'
24	PCI	PCI+17+S0006+1'
25	PAC	PAC+6+2+PHM01::91'
26	LIN	LIN+1+++66550000011311-01:BP::92'
27	CPS	CPS+3++3'
28	PAC	PAC+1+++PMatOuter::92'
29	QTY	QTY+1:1:PCE'
30	PCI	PCI+17+M0001+1'
31	GIN	GIN+ML+S0001'
32	GIN	GIN+ML+S0002'
33	GIN	GIN+ML+S0003'
34	GIN	GIN+ML+S0004'
35	PAC	PAC+1+2+PHM02::92'
36	CPS	CPS+3++3'
37	PAC	PAC+1+++PMatOuter::92'
38	QTY	QTY+1:1:PCE'
39	PCI	PCI+17+M0002+1'
40	GIN	GIN+ML+S0005'
41	GIN	GIN+ML+S0006'
42	PAC	PAC+1+2+PHM02::92'
43	UNT	UNT+43+1'

## Delivery note inbound

### DESADV



All boxes contain same material: 66550000011311-01